



SAFETY AND INSTALLATION INSTRUCTIONS

Model: **High Pressure 900W Hand Dryer** **HD900W**

**PLEASE READ THESE INSTRUCTIONS BEFORE INSTALLING YOUR NEW
HAND DRYER. PLEASE RETAIN FOR FUTURE REFERENCE**

Energy Saving

This hand dryer uses a high speed motor to force air out of the outlet vent at around twice the speed of a normal hand dryer. The extra air velocity means that less heat is required to dry hands effectively and so this hand dryer typically uses less than half the energy of a standard type.

Safe

The hand dryer is protected against over heating, prolonged operation and over-current.

Automatic

The dryer starts automatically when hands are moved within 10cm of the outlet vent and will stop 1s after the hands have been removed

Durable

The case is cast in lightweight but strong aluminium in a shape designed for resistance to vandalism.



Pack Contents
Hand dryer
Fixing pack

General Information and Safety Instructions

Read this first

Check the pack and make sure you have all of the parts listed on the front of this booklet. If not, contact the outlet where you bought this product.

This hand dryer must be installed by a competent person in accordance with the Building Regulations making reference to the current edition of the IEE Wiring Regulations (BS7671). The Building Regulations may be obtained from OPSI (Office for Public Sector Information) or the department of Communities and Local Government and viewed and downloaded from www.communities.gov.uk following the link for Building Regulations.

As the buyer, installer and/or user of this product it is your own responsibility to ensure that this hand dryer is fit for the purpose for which you have intended it. Eterna Lighting cannot accept any liability for loss, damage or premature failure resulting from inappropriate use.

If in any doubt, consult a qualified electrician.

Switch off the mains before commencing installation and remove the appropriate circuit fuse.

Disconnect the dryer from the electrical supply before flash or high voltage testing.

Suitable for indoor use only.

This product is suitable for installation on surfaces with normal flammability (indicated by the "F" in a triangle) e.g. wood, plasterboard, masonry. It is not suitable for use on highly flammable surfaces (e.g. polystyrene, textiles).

Before making fixing hole(s), check that there are no obstructions hidden beneath the mounting surface such as pipes or cables.

The chosen location of your new hand dryer should allow for the product to be securely mounted and safely connected to the mains supply.

This product is designed for permanent connection to fixed wiring: this should be either a suitable circuit (protected with a 5 or 6 Amp MCB or fuse) or a fused spur (with a 5 Amp fuse) via a fused connection unit. We recommend that the supply incorporates a double pole switch.

Do not cover the hand dryer.

The dryer should be located where it cannot be splashed.

The dryer must be positioned so that there is at least 0.4m (400mm) between the outlet vent and any surface below.

Do not attach to surfaces which are damp, freshly painted or otherwise electrically conductive (e.g. metallic surfaces).

If the location of your new hand dryer requires the provision of a new electrical supply, the supply must conform with the requirements of the Building Regulations making reference to the current edition of the IEE Wiring Regulations (BS7671).

Make connections to the electrical supply in accordance with the following code:

Live - Brown or Red

Neutral - Blue or Black

Earth - Green and Yellow

When making connections, ensure that the terminals are tightened securely and that no strands of wire protrude. Check that the terminals are tightened onto the bared conductors and not onto any insulation. Wrap loose terminal blocks well with insulating tape.

This product must be connected to Earth.

You are advised at every stage of your installation to double-check any electrical connections you have made. After you have completed your installation there are electrical tests that should be carried out: these tests are specified in the Wiring Regulations (BS7671) referred to in the Building Regulations. If in doubt, consult a qualified electrician.

There are no user serviceable parts inside, if your hand dryer develops a fault or does not function correctly, it must be repaired by a suitably qualified person

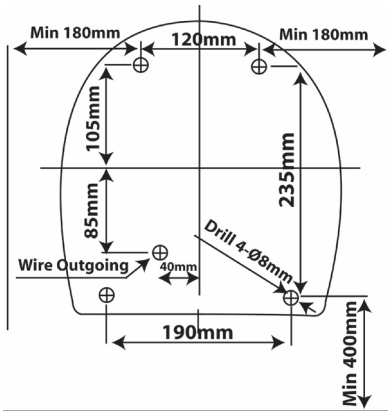
This product is not intended to be used by children and persons with sensory, physical and/or mental impairments that would prevent them from using it safely.

Small children should be supervised to ensure that they do not play with this appliance.

Installation:

Choose the location for your new dryer giving consideration to each of the conditions above.

Mark the position of the fixing holes according to the diagram below.



Make the fixing holes as appropriate to your mounting surface. If fitting to a solid wall, drill holes 8mm dia. and 35mm deep. Insert the plastic plugs supplied.

Remove the screws in either side of the hand dryer and lift off the front cover.

Remove the cable entry knock-outs as required from the back of the dryer.

Thread your mains supply cable in through the cable entry.

Secure the dryer on the wall using the fixings supplied. If the fixings supplied are not appropriate to your mounting surface, use suitable alternatives.

Make the electrical connections according to the colour code above.

Restore the power and switch on.

Test the sensitivity of the detector incorporated into your hand dryer by moving your hands back and forth beneath the outlet vent.

Adjust the sensitivity as required using a very small screwdriver to turn the potentiometer accessible through the hole in the end of the control circuit cover, see opposite diagram.

Turn off the power.

The hand dryer will operate with both warm and cold air; if use with cold air is required, turn the switch fixed in a bracket to the side of the fan housing, to "0"

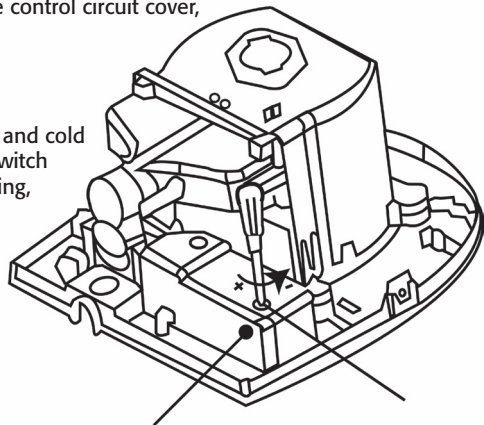
Replace the front cover and secure in position using the two screws removed earlier.

Restore the power and switch on.

Note:

The dryer will be activated when hands are moved beneath the outlet vent within a distance of approximately 10cm, Sensitivity can be reduced if required.

The dryer will operate for a maximum of 1 minute continuously, after this time the dryer will stop but can be re-started by moving hands away and back under the outlet vent to re-trigger the detector.



Cleaning:

Clean this hand dryer only with a soft dry cloth

Do not use any chemical or abrasive cleaners.

Eventually, you may want to replace this hand dryer:

When your hand dryer comes to the end of its life or you choose to update or upgrade it by replacing it, please do not dispose of it with your normal waste, please recycle where facilities exist. When you need to dispose of this hand dryer, check with your retailer or local authority for suitable options. New regulations require the recycling of Waste from Electrical and Electronic Equipment (European "WEEE Directive" effective August 2005—UK WEEE Regulations effective 2nd January 2007). Environment Agency Registered Producer: WEE/GA0248QZ



If you experience problems:

If your dryer is defective or develops a fault, please return it to the place where you bought it. You can call our Helpline for advice. The Helpline will gladly give advice on any aspect of any Eterna Lighting product but may not be able to give specific instructions regarding individual installations.

If in doubt, consult a qualified electrician.

Help line:

Tel: 01933 673 144 Fax: 01933 678 083 Email: sales@eterna-lighting.co.uk

For answers to frequently asked questions (FAQs) and other information visit our web-site
www.eterna-lighting.co.uk