

Installation Instructions and Care

Safety Markings



IP24 Splash Proof

Cleaning

Clean this towel rail only with a soft dry cloth
Do not use any chemical or abrasive cleaners.

Specification

Supply Voltage:	230 V ac 50Hz Class 1
Power Consumption:	70W
Dimensions (mm):	H 565 × W 545 × D 30
Weight (kgs):	2.2

Eventually, you may want to replace this fitting

When your fitting comes to the end of its life or you choose to update or upgrade it by replacing it, please do not dispose of it with your normal household waste, please recycle where facilities exist. When you need to dispose of this fitting, check with your retailer or local authority for suitable options. New regulations require the recycling of Waste from Electrical and Electronic Equipment (European "WEEE Directive" effective August 2005—UK WEEE Regulations effective 2nd January 2007). Environment Agency Registered Producer: WEE/GA0248QZ



If you experience problems...

If your light is defective or develops a fault, please return it to the place where you bought it. You can call our Helpline for advice. The Helpline will gladly give advice on any aspect of any Eterna Lighting product but may not be able to give specific instructions regarding individual installations.

If in doubt, consult a qualified electrician.

Help Line

Tel: **01933 673 144**

Fax: **01933 678 083**

Email: sales@eterna-lighting.co.uk

For all other information visit our website www.eterna-lighting.co.uk



SAFETY AND INSTALLATION INSTRUCTIONS

Model: **TR70W**

70W Heated Towel Rail

IMPORTANT! Please read these instructions before installing your new fitting.
Please retain for future reference.



Pack Contents

Towel Rail x 1

Fixing Tube Brackets x 3

General Information and Safety Instructions

Read this first

This towel rail must be installed in accordance with the Building Regulations. These may be obtained from OPSI or viewed and downloaded from www.communities.gov.uk following the link for Building Regulations.

If in any doubt, consult a qualified electrician.

Switch off the mains before commencing installation and remove the appropriate circuit fuse.

Disconnect the towel rail from the electrical supply before flash or high voltage testing.

Suitable for indoor use only.

This product is suitable for installation on surfaces with normal flammability e.g. wood, plasterboard, masonry. It is not suitable for use on highly flammable surfaces (e.g. polystyrene, textiles).

Before making fixing hole(s), check that there are no obstructions hidden beneath the mounting surface such as pipes or cables.

The chosen location of your new fitting should allow for the product to be securely mounted and safely connected to the mains supply. This product must be connected to Earth.

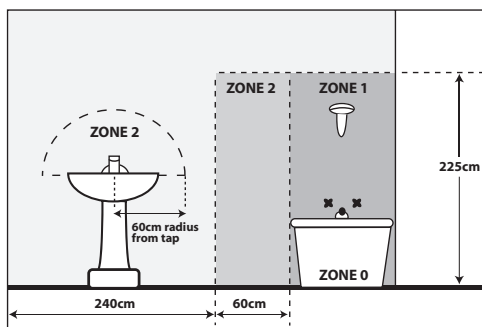
If the location of your new fitting requires the provision of a new electrical supply, the supply must conform with the requirements of the Building Regulations.

If the plug supplied fitted to this product is not suitable for your socket outlets, cut the plug off and destroy it. Fit an appropriate plug.

Use in Bathrooms

This product is designed for use in bathrooms and laundry rooms. It is safe for use in Zone 2 or outside.

If using this product in a bathroom and connecting to the mains using the three pin plug, the plug and socket must be outside the bathroom. Take care not to create a hazard from trailing the mains lead.



Alternatively, this product may be permanently connected to the mains supply via a fused spur.

WARNING! The plug cut off of the mains lead with conductors exposed will be dangerous if inserted into a socket.

The cores in the mains lead are coloured in accordance with the following code:

Live - Brown
Neutral - Blue
Green & Yellow - Earth

The plug is fitted with a 3Amp fuse. When replacing, use only a 3Amp fuse approved to BS1362 and carrying the relevant approval mark. Never use the plug with the fuse omitted.

If the external flexible cable of this luminaire is damaged it shall be exclusively replaced by repair or service agent or similar qualified person.

Use this heated towel rail only for the purpose for which it was intended. Use for any other purpose may invalidate any warranty and cause damage or injury to persons or property.

This heater is not intended for use with an extension cord and should only be used in the upright position.

You are advised at every stage of your installation to double-check any electrical connections you have made. After you have completed your installation there are electrical tests that should be carried out: these tests are specified in the Wiring Regulations (BS7671) referred to in the Building Regulations. If in doubt, consult a qualified electrician.

WARNING: This product becomes hot!

This product is not intended to be used by children and persons with sensory, physical and/or mental impairments that would prevent them from using it safely.

Small children should be supervised to ensure that they do not play with this appliance.

Installation Instructions

Installation

1. Choose the location for your new towel rail according to the guidelines listed opposite.
2. Position your towel rail on the wall and mark round the base of the three short support legs with a pencil.
3. Offer the fixing tube brackets up to the marks you have made and mark the position of the fixing holes as shown in Fig. 1
4. Secure the the fixing tube brackets to the wall using appropriate fixings (not supplied). Fig. 2 Note the position of the small grub screws in the tubes, after securing the fixing bracket tubes, these holes should face downwards.
5. Remove the grub screws from the fixing tube brackets.
6. Locate the towel rail onto the fixing tube brackets secured onto the wall and replace the bracket grub screws.
7. Route your mains supply cable to the socket or spur, in order to do this you may need to remove the plug fitted to the mains lead on your towel rail.
8. If necessary, re-fit the plug to the mains lead on the towel rail according to the wiring code listed opposite.
9. Restore the power supply and switch on.

Fig 1.

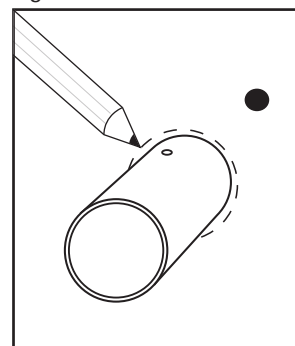


Fig 2.

