



WARNING!

Children of less than 3 years should be kept away from the heater unless continuously supervised.

Children aged from 3 years and less than 8 years shall only switch on/off the appliance provided that it has been placed or installed in its intended normal operating position and they have been given supervision or instruction concerning use of the appliance in a safe way and understand the hazards involved. Children aged from 3 years and less than 8 years shall not plug in, regulate and clean the appliance or perform user maintenance.



CAUTION!

SOME PARTS OF THIS PRODUCT CAN BECOME VERY HOT AND CAUSE BURNS. PARTICULAR ATTENTION HAS TO BE GIVEN WHERE CHILDREN AND VULNERABLE PEOPLE ARE PRESENT.

ENERGY EFFICIENCY:

The following suggestions will help you protect the environment and save money on your electricity bills:

Always switch heaters off when not in use.

Using a lower thermostat setting will reduce the energy used by the heater.

CLEANING:

Clean this fitting only with a soft dry cloth.

Do not use any chemical or abrasive cleaners.

EVENTUALLY, YOU MAY WANT TO REPLACE THIS PRODUCT:

Regulations require the recycling of Waste from Electrical and Electronic Equipment (European "WEEE Directive" effective August 2005—UK WEEE Regulations effective 2nd January 2007). Environment Agency Registered Producer: WEE/GA0248QZ.

WHEN YOUR PRODUCT COMES TO THE END OF ITS LIFE OR YOU CHOOSE TO REPLACE IT, PLEASE RECYCLE IT WHERE FACILITIES EXIST - DO NOT DISPOSE WITH HOUSEHOLD WASTE.

IF YOU EXPERIENCE PROBLEMS:

If you believe your product is defective, please return it to the place where you bought it. Our Technical Team will gladly advise on any Eterna Lighting product, but may not be able to give specific instructions regarding individual installations.



Email: sales@eterna-lighting.co.uk / technical@eterna-lighting.co.uk

Visit our website: www.eterna-lighting.co.uk

Made in China

Issue 0222

Eterna

Everyday Lighting For Professionals

INSTALLATION INSTRUCTIONS

A guide for qualified electricians



Pack contents:

- 1 x Downflow heater
- 1 x Fixing kit

Model:

DFH2KW

2kW Adjustable Downflow Heater

These instructions are provided as a guideline to assist you.

PLEASE READ THESE INSTRUCTIONS BEFORE INSTALLATION AND RETAIN FOR FUTURE REFERENCE

READ THIS FIRST:

This heater must be installed in accordance with the Building Regulations. These may be obtained from OPSI or viewed and downloaded from www.communities.gov.uk following the link for Building Regulations.

This heater is designed for wall mounting and must be used with the warm air vent facing downwards. This heater should not be used in any other orientation and should not be used as a free standing portable appliance.

ADVISORY: This heater must be installed at least 1.8m above the floor.

This heater must be installed so that switches and other controls (except the pull cord) cannot be touched by a person in the bath or shower.

The mounting position should allow the free movement of air around the heater. Obstructing the air flow could result in overheating.

This product is not intended to be used by children and persons with sensory, physical and/or mental impairments that would prevent them from using it safely.

Small children should be supervised to ensure that they do not play with this appliance.

Switch off the mains before commencing installation and remove the appropriate circuit fuse.

Suitable for indoor use only.

This product is suitable for installation on surfaces with normal flammability e.g. wood, plasterboard, masonry. It is not suitable for use on highly flammable surfaces (e.g. polystyrene, textiles).

Before making fixing hole(s), check that there are no obstructions hidden beneath the mounting surface such as pipes or cables.

The chosen location of your new heater should allow for the product to be securely mounted (e.g. to a firm wall) and safely connected to the mains supply.

Do not site the heater directly beneath a mains outlet socket.

If the location of your new heater requires the provision of a new electrical supply, the supply must conform with the requirements of the Building Regulations.

This product is designed for permanent connection to fixed wiring: this should be to a suitable ring circuit (protected with a 10 Amp MCB or fuse) or a fused spur (with a 10 Amp fuse) via a fused connection unit. The supply must incorporate a switch or other means of disconnection.

This product is not suitable for mounting within bathroom zones 0, 1 or 2 – it can be installed outside of zones where the permanent connection to the mains supply is made in accordance with the requirements of building and wiring regulations.

If in doubt, consult a qualified electrician.

If installed in a bathroom, the supply circuit must be protected by a 30mA RCD.

Make connections to the electrical supply in accordance with the following code:

Live - Brown or Red • Neutral - Blue or Black

This product is double insulated, do not connect any part to Earth.

WARNING - To avoid overheating, do not cover the heater.

Never leave the heater unattended when it is in use.

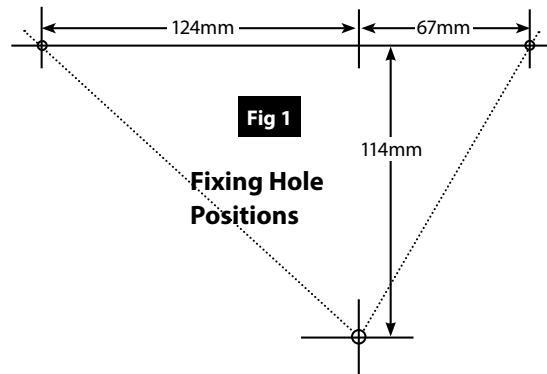
The heater is fitted with 2 stage over-temperature protection in addition to the temperature control adjustable thermostat: for protection against brief excess of temperature, the heater has a resetting thermostatic device; for longer periods of excess temperature or higher excess temperatures, the heater is fitted with a one-shot thermal fuse which cannot be reset.

As you are making a fixed connection to the mains, you are advised at every stage of your installation to double-check any electrical connections you have made. After you have completed your installation there are electrical tests that should be carried out: these tests are specified in the Wiring Regulations (BS7671) referred to in the Building Regulations.

ADJUSTMENT:

1. Switch off the main power and remove the fuse.
2. Remove the two screws on the front of the case and remove the front cover.
3. Select the desired mode of operation using the switch i.e:
I = 1kW fixed heat
II = 2kW variable thermostat controlled*

*Once desired temperature is met, fitting will drop down to 1kW - this fitting will not turn itself off.
4. Turn the thermostat control clockwise to increase the room temperature and anti-clockwise to decrease.
5. Close the front cover and secure using the two screws.



INSTALLATION:

01. Choose the location for your new heater giving consideration to all of the points above.
02. Loosen the two screws at the top of the front of the heater and lift off the front cover.
03. Using the guide diagram opposite, mark the position of the top two fixing holes.
04. Use a spirit level to check holes are level.
05. Make the top two fixing holes using a suitable drill bit.
06. Insert the plastic plugs and screws leaving approximately 3mm of the shank protruding.
07. Hang the heater on the screws. If the fixings supplied are not suitable for your mounting surface, select suitable alternatives.
08. Mark the position of the third fixing hole using the heater as a template.
09. Remove the heater, make the fixing hole and insert the plastic plug.
10. Replace the heater adjusting the top two screws to make as tight a fit as possible.
11. Secure using the third fixing through the hole indicated opposite.
12. Remove the cable clamp from inside the heater.
13. Thread the supply cable through the hole in the rear of the case.
14. Make connections to the supply terminals according to the colour code (left). Ensure that there are no strands or whiskers protruding from the terminals.
15. Secure the cable under the cable clamp. Ensure that the cable is gripped firmly but take care not to over-tighten the screws.
16. Select the desired mode of operation using the switch i.e:

I = 1kW fixed heat
II = 2kW variable thermostat controlled*

*Once desired temperature is met, fitting will drop down to 1kW - this fitting will not turn itself off.
17. Set the thermostat to the mid position.
18. Close and secure the front cover.
19. Restore the power and switch on.

