



This heater is not equipped with a device to control the room temperature. Do not use this heater in small rooms when they are occupied by persons not capable of leaving the room on their own, unless constant supervision is provided.

WARNING!

Children of less than 3 years should be kept away from the heater unless continuously supervised.

Children aged from 3 years and less than 8 years shall only switch on/off the appliance provided that it has been placed or installed in its intended normal operating position and they have been given supervision or instruction concerning use of the appliance in a safe way and understand the hazards involved. Children aged from 3 years and less than 8 years shall not plug in, regulate and clean the appliance or perform user maintenance.



SOME PARTS OF THIS PRODUCT CAN BECOME VERY HOT AND CAUSE BURNS. PARTICULAR ATTENTION HAS TO BE GIVEN WHERE CHILDREN AND VULNERABLE PEOPLE ARE PRESENT.

CLEANING:

Always remove the plug from the electrical socket and allow the heater to cool down before cleaning the heater.

Wipe heater with a soft dry cloth.

Wind the cable around the cable tidy and store the heater in a clean dry place.

CLEANING WARNING:

Do not immerse the heater in water.

Do not use any cleaning chemicals such as detergents and abrasives.

Do not allow the interior to get wet.

EVENTUALLY, YOU MAY WANT TO REPLACE THIS PRODUCT:

Regulations require the recycling of Waste from Electrical and Electronic Equipment (European "WEEE Directive" effective August 2005—UK WEEE Regulations effective 2nd January 2007). Environment Agency Registered Producer: WEE/ GA0248QZ.

WHEN YOUR PRODUCT COMES TO THE END OF ITS LIFE OR YOU CHOOSE TO REPLACE IT, PLEASE RECYCLE IT WHERE FACILITIES EXIST - DO NOT DISPOSE WITH HOUSEHOLD WASTE.

IF YOU EXPERIENCE PROBLEMS:

If you believe your product is defective, please return it to the place where you bought it. Our Technical Team will gladly advise on any Eterna Lighting product, but may not be able to give specific instructions regarding individual installations.



Eterna
Everyday Lighting For Professionals

INSTALLATION INSTRUCTIONS

A guide for qualified electricians



Pack contents:
1 x Quartz heater
1 x Fixing kit

Model:
QHEAT1200
1200W Quartz Heater

These instructions are provided as a guideline to assist you.

PLEASE READ THESE INSTRUCTIONS BEFORE INSTALLATION AND RETAIN FOR FUTURE REFERENCE

Email: sales@eterna-lighting.co.uk / technical@eterna-lighting.co.uk

READ THIS FIRST:

Check the pack and make sure you have all of the parts listed on the front of this booklet. If not, contact the supplier where you bought this product

IMPORTANT SAFEGUARDS:

This heater must be installed by a competent person in accordance with the Building Regulations making reference to the current edition of the IEE Wiring Regulations (BS7671).

As the buyer, installer and/or user of this heater it is your own responsibility to ensure that this heater is fit for the purpose for which you have intended it. Eterna Lighting cannot accept any liability for loss, damage or premature failure resulting from inappropriate use.

This product is designed and constructed according to the principles of the appropriate British Standard and is intended for normal domestic service.

Switch off the mains before commencing installation and remove the appropriate circuit fuse.

When working at heights, please use a suitable platform.

Suitable for indoor use only.

This product is suitable for use in living areas, and bathroom dry (outside) zones only (see diagram below and current IEE Wiring Regulations for details). It is not suitable for bathroom zones 0, 1, 2, or other areas where contact with moisture is likely.

If installed within a bathroom, the heater must be wired directly to a mains supply via a switched fused spur protected by a 30mA RCD.

Make sure that the fixings are strong enough to support the considerable weight of the heater and holds it rigidly.

When choosing the location for your new heater, ensure that the fixings will be anchored in a solid surface e.g. concrete, brick or a joist - do not fix directly onto panelling, cladding, plasterboard etc.

If the location of your new heater requires the provision of a new electrical supply, the supply must conform with the requirements of the Building Regulations making reference to the current edition of the IEE Wiring Regulations (BS7671).

The heater is fitted with a 3 pin plug, but can also be installed using a permanent connection to fixed wiring: this should be either a suitable circuit (protected with a 6 Amp MCB or fuse) or a fused spur (with a 13 Amp fuse).

Make connections to the electrical supply in accordance with the following code:

Live: Brown or Red
Neutral: Blue or Black
Earth: Green and Yellow

When making connections, ensure that the terminals are tightened securely and that no strands of wire protrude. Check that the terminals are tightened onto the bared conductors and not onto any insulation.

This heater must be connected to Earth.

This appliance is not intended for use by persons (including children) with reduced physical, sensory or mental capabilities, or lack of experience and knowledge, unless they have been given supervision or instruction concerning use of the appliance by a person responsible for their safety.

IMPORTANT: Always switch off at the mains and isolate circuit before any maintenance is carried out, any repairs undertaken must be by suitable qualified electrical engineer.

You are advised at every stage of your installation to double-check any electrical connections you have made. After you have completed your installation there are electrical tests that should be carried out: these tests are specified in the Wiring Regulations (BS7671) referred to in the Building Regulations.

WARNING - To avoid overheating, do not cover the heater.

SPECIFICATIONS:

VOLTAGE: 240V~50Hz
POWER MAX: 1.2kW

WARNING:

This product becomes hot!

This heater is to be used only for the purpose intended by the manufacturer which is for area heating only.

Do not put a cover over the appliance as this would cause a fire hazard during use.

Install the appliance only in a horizontal position.

Do not install the appliance under a light or fixed source of electrical supply.

Avoid installation behind a door.

Do not try to repair the heater yourself, always consult a suitably qualified engineer.

Do not use the heater in small rooms when they are occupied by persons who are not capable of leaving the room on their own, unless constant supervision is provided.

INSTALLATION:

Turn off mains supply before commencing with installation.

Do not install the heater so that the heat rays are directed on to walls or adjacent objects.

Maintain a sufficient distance between the heater and walls/objects, see diagram opposite.

Heaters must be installed at least 1.8m above the floor level and 50cm from any given surfaces as shown opposite:

- 1) Remove cover plate and position the heater on the wall and mark fixing holes.
- 2) Drill 4 suitable holes and insert the wall plugs provided.
- 3) Fix the heater in place using suitable screws.
- 4) Re-fit the cover plate.
- 5) Adjust the heater direction to the desired position via the ratchet mechanism and tighten the screws.
- 6) Restore power.

FOR FIXED WIRING:

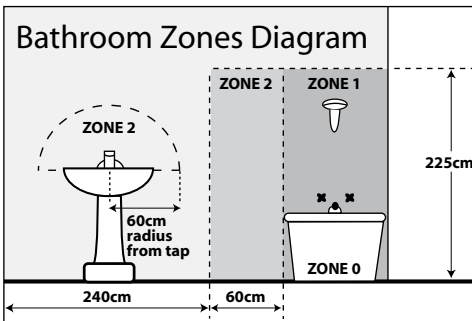
The plug needs to be removed and the wiring connected to a suitable fused spur. The supply circuit should be protected with a 6 Amp MCB or fuse.

Make connections to the electrical supply in accordance with the following code:

Live: Brown or Red
Neutral: Blue or Black
Earth: Green and Yellow

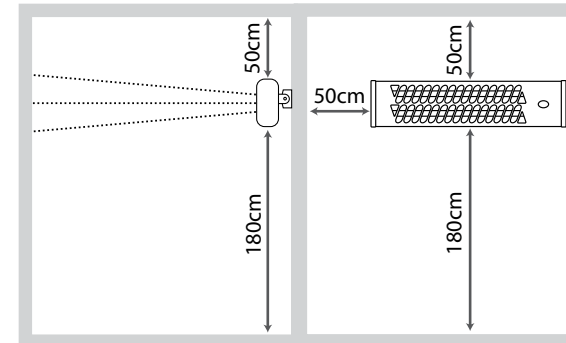
Model Identifier:	QHEAT1200						
Heat Output							
Nominal heat output				P _{nom}	1.2	kW	
Minimum heat output (indicative)				P _{min}	0.0	kW	
Maximum continuous heat output				P _{max,c}	1.2	kW	
Auxiliary electricity consumption							
At nominal heat output				e _{lmax}	0.0	kW	
At minimum heat output				e _{lmin}	0.0	kW	
In standby mode				e _{lSB}	0.0	kW	
Type of heat output/room temperature control							
Two or more manual stages, no room temperature control							Yes

Contact details: Eterna Lighting Ltd, Huxley Close, Wellingborough, Northamptonshire NN8 6AB



This heater is suitable for installation on surfaces with normal flammability e.g. wood, plasterboard, and masonry. It is not suitable for use on highly flammable surfaces (e.g. polystyrene, textiles).

Before making fixing hole(s), check that there are no obstructions hidden beneath the mounting surface such as pipes or cables.



PULL CORD INSTRUCTIONS:

Use the pull cord switch accordingly:

- 0 = Off
- 1 = 600W
- 2 = 1.2kW

