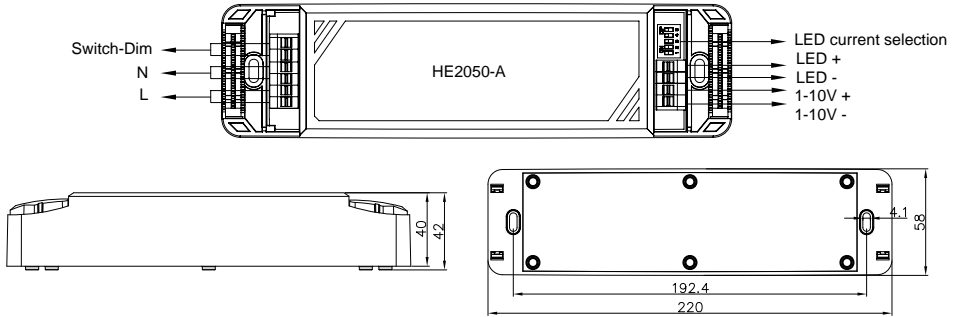
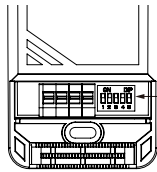


**INSTRUCTION MANUAL FOR 50W DIMMABLE LED DRIVER
MODEL NO.: HE2050-A**



LED CURRENT SELECTION

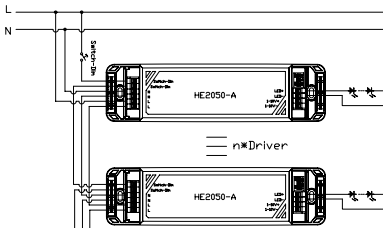
The current can be easily configured by choosing the correct combination of the DIP switches (see table below):



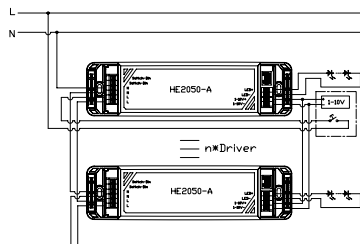
Current	1	2	3	4	5	
1050mA	●	●	●	●	●	I
900mA	●	●	○	●	●	II
800mA	●	○	○	○	○	III
700mA	○	○	●	○	○	IV
650mA	○	○	○	○	○	V
600mA	○	○	○	○	○	VI
550mA	○	○	○	○	○	VII
500mA	○	○	○	○	○	VIII
350mA	○	○	○	○	○	IX

WIRING DIAGRAM

Switch-Dim wiring diagram



1-10V dimming wiring diagram



- Note: 1. Default setting is "1-10V" dimming.
2. This "1-10V" output is isolated, SELV output.
3. To shift dimming from "Switch-Dim" to "1-10V", the end-user should short-circuit "1-10V" first for at least 3s.

SWITCH-DIM



- On/off control: short push (<1s) on the switch.
Note: Short push should be at least 0.12s, and the time interval between two pushes should be longer than 0.12s also.
- Stepless dimming: long push (>1s) on the switch.
- For fine tuning of light level: with every other long push, the light level goes to the opposite direction.
- Built-in with permanent memory: light returns to the previous dimming level when switched off and on again, even at power failure.

SYNCHRONIZATION

Up to 50pcs drivers can be connected to the same switch, thanks to the program. This means there is no need for any additional synchrony wire in large installation, where many drivers should be controlled by one switch.

Please follow the steps below to achieve synchronization function if more than one driver are connected to the same push button:

- Press the push button for more than 1s (long push), then a short push (<1s). Now the devices are switched off.
- Long push the button, the system is now synchronized.

LOOP-IN AND LOOP-OUT

With double terminals on the primary side, it is easy to connect many drivers in series, simply take the L, N, and switch-Dim. from the previous driver to the next driver, saves a lot of wires and work.

SPECIFICATION:

Mains voltage	220-240VAC 50/60Hz		
Mains current	270mA ... 242mA		
Mains power	58W (Max.)		
Output voltage (U-out max.)	110V (Max.)		
Power factor	≥0.9		
Operation temperature	Ta: -20~+45 C Tc:75 C		
Rated output current/voltage/power	350mA / 10~72V / 25W 600mA / 10~72V / 43W 800mA / 10~63V / 50W	500mA / 10~72V / 36W 650mA / 10~72V / 47W 900mA / 10~56V / 50W	550mA / 10~72V / 40W 700mA / 10~72V / 50W 1050mA / 10~48V / 50W
Efficiency (Max.)	90%		
Abnormal protection	Output short-circuit protection with auto-reset.		
Over-heat protection	Over-heat protection with auto-reset.		
EMC standard	EN55015, EN61547		
Safety standard	EN61347-1, EN61347-2-13		
Certification	Semko, CE, EMC		
Dielectric strength	Input→output : 3750VAC/5mA/1min		
IP grade	IP20		