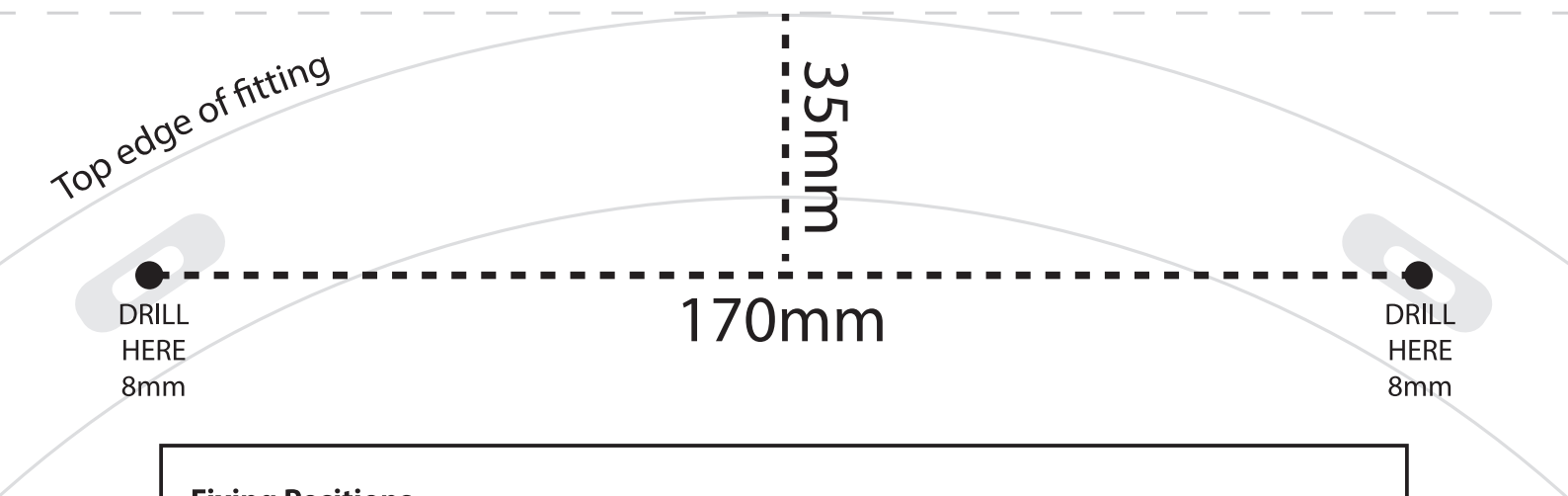


Eterna Aluminium Range

Template - Actual Size



Fixing Positions

- 1) Using the actual size template above, drill the first two holes 170mm apart
- 2) Drill two further holes 290mm below the first two holes, as shown in the diagram below

Scaled Drawing

