



Eterna FIREIP RANGE

 This luminaire is compatible with bulbs of the energy classes:

A++
A+
A
B
C
D
E

874/2012 

LAMP REPLACEMENT:

01. Switch off the electricity at the mains.
02. Remove the decorative trim, then remove and replace lamp.
03. Re-fit trim and ensure that it is tightened securely. Take care not to over-tighten.
04. Restore the power and switch on.

LAMP TYPE:

GU10 PAR16 Halogen or suitable energy saving alternative max 50W.

NOTE: a good quality lamp with aluminium reflector should be used in this fitting to ensure maximum heat projection out of the fitting and minimise accumulation inside the fitting and ceiling space.

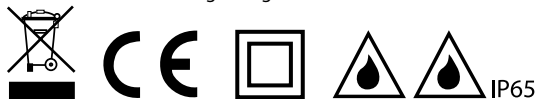
EVENTUALLY, YOU MAY WANT TO REPLACE THIS PRODUCT:

Regulations require the recycling of Waste from Electrical and Electronic Equipment (European "WEEE Directive" effective August 2005—UK WEEE Regulations effective 2nd January 2007). Environment Agency Registered Producer: WEE/ GA0248QZ.

WHEN YOUR PRODUCT COMES TO THE END OF ITS LIFE OR YOU CHOOSE TO REPLACE IT, PLEASE RECYCLE IT WHERE FACILITIES EXIST - DO NOT DISPOSE WITH HOUSEHOLD WASTE.

IF YOU EXPERIENCE PROBLEMS:

If you believe your product is defective, please return it to the place where you bought it. Our Technical Team will gladly advise on any Eterna Lighting product, but may not be able to give specific instructions regarding individual installations.



INSTALLATION INSTRUCTIONS

A guide for qualified electricians



Pack contents:
 • 1 x Downlight fitting c/w connection box
 • 2 x Fixing clips

Model:
FIREIPCR / FIREIPSN / FIREIPWH
IP65 Fire Rated Shower Lights

These instructions are provided as a guideline to assist you.

PLEASE READ THESE INSTRUCTIONS BEFORE INSTALLATION AND RETAIN FOR FUTURE REFERENCE

Email: sales@eterna-lighting.co.uk / technical@eterna-lighting.co.uk

Visit our website: www.eterna-lighting.co.uk

Made in China

READ THIS FIRST:

Check the pack and make sure you have all of the parts listed on the front of this booklet. If not, contact the outlet where you bought this product.

This product contains glass, care must be taken when assembling, fitting or handling to prevent personal injury or damage to the product.

This light fitting must be installed by a competent person in accordance with the Building Regulations making reference to the current edition of the IEE Wiring Regulations.

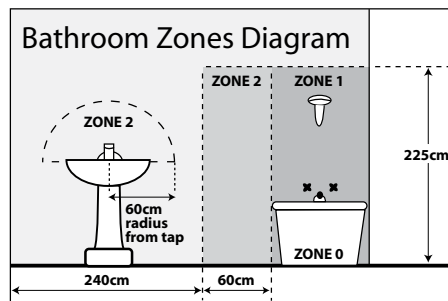
As the buyer, installer and/or user of this product it is your own responsibility to ensure that this fitting is fit for the purpose for which you have intended it. Eterna Lighting cannot accept any liability for loss, damage or premature failure resulting from inappropriate use.

Switch off the mains before commencing installation and remove the appropriate circuit fuse.

When working at heights, please use a suitable platform.

Suitable for indoor use only.

This range of shower lights are suitable for use in living areas and in Bathroom Zones 1, 2 and outside of zones. If being fitted in a bathroom a 30mA RCD must be used.



A compressible silicon gasket has been supplied with your new light fitting, it is important that this is not omitted when changing the lamp. Omitting this gasket may compromise the integrity of the air-tight seal your downlight fitting is designed to make against your ceiling. In certain circumstances, this air-tight seal is required in order for your building to comply with some parts of the Building Regulations, follow the links above for details.

This product is suitable for installation on surfaces with normal flammability e.g. wood, plasterboard, or masonry. It is not suitable for use on highly flammable surfaces (e.g. polystyrene, textiles).

If installing / mounting a light fitting to a plastic ceiling, you must seek advice from the ceiling manufacturer regarding the type and specification of light fittings that may be used. Light fittings that generate and retain heat such as halogen downlights may damage or discolour a plastic ceiling.

Before making fixing hole(s), check that there are no obstructions hidden beneath the mounting surface such as pipes or cables.

The fitting must be positioned so that there is at least 0.5M (500mm) between the bulb and any illuminated surface.

If the location of your new fitting requires the provision of a new electrical supply, the supply must conform with the requirements of the Building Regulations making reference to the current edition of the IEE Wiring Regulations (BS7671).

This product is designed for permanent connection to fixed wiring: this should be a suitable lighting circuit (protected with an appropriate MCB or fuse).

Make connections to the electrical supply in accordance with the following code:
Live - Brown or Red
Neutral - Blue or Black

When making connections, ensure that the terminals are tightened securely and that no strands of wire protrude. Check that the terminals are tightened onto the bared conductors and not onto any insulation.

You are advised at every stage of your installation to double-check any electrical connections you have made. After you have completed your installation there are electrical tests that should be carried out: these tests are specified in the Wiring Regulations (BS7671) referred to in the Building Regulations.

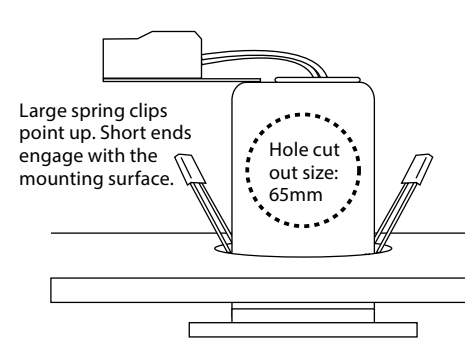
CLEANING:

Clean this light fitting only with a soft dry cloth.

Do not use any chemical or abrasive cleaners.

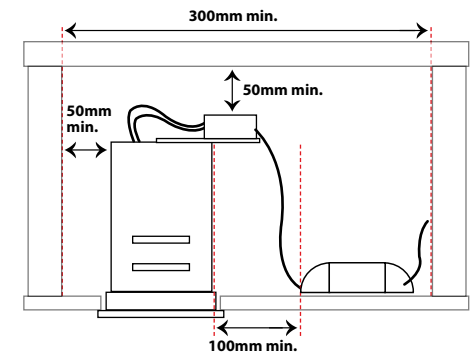
NOTE: Do not cover the fitting (and transformer if used) with any insulating materials.

A clear space is required around the fitting for ventilation. If installing in a ceiling with insulation laid over, separate means must be employed to raise the insulation and ensure the space shown in the diagrams opposite is maintained.



INSTALLATION:

01. Choose the location of your new downlight giving consideration to all of the conditions listed above.
02. Make a round fixing hole. Ensure that the hole is cut accurately, we recommend the use of a circular hole cutter.
03. Fit spring clips supplied selecting the position according to the thickness of your ceiling.
04. Make the electrical connections to the terminal block according to the instructions above.
05. Separate the decorative trim complete with glass and the body of the fitting by twisting anti-clockwise and lifting off.
06. Press the ends of the lamp retaining spring and lift off.
07. Press the large ends of the spring clips on the sides of the fitting upwards against the body of the fitting and offer the body into the fixing hole.
08. Allow the large ends of the spring clips to pass through the hole and the short ends to engage with the mounting surface.
09. Press the fitting firmly into place until it is retained by the strength of the springs. The fitting may require some manipulation in order to pass through the hole. Do not enlarge the hole to make fitting easier.
10. Check that the gaskets are in place, intact and that the white silicon gasket makes a good even seal around the fitting against the mounting surface.
11. Fit the lamp to the lampholder.
12. Offer the lamp into the bottom of the fitting and replace the spring clip.
13. Fit the decorative trim back onto the body and turn to lock ensuring that all gaskets are in place and intact.
14. Restore the power supply and switch on.



OPERATION:

01. The soft white gasket and the sealing of the glass diffuser in both fittings creates a seal and prevents the passage of moisture through the barrier provided by the mounting surface e.g. ceiling. This aids compliance with parts F and L1 and L2 which require restriction of the passage of moisture and air into cavities and the roof space. *2-Clause 8.4.1.2 f). These model fittings are rated IP65 and comply with requirements for air leakage.
02. The grey gasket inside the fitting is made from an intumescent material which will expand to fill the space inside in the event of fire. This will aid compliance with Part B and the resistance to the passage of fire. The material will expand up to 30x its original thickness to resist fire passing through the fitting. *1-indicative testing performed by third party independent lab.
03. The soft white gasket combined with the sealed glass diffuser and solid metal construction seal the mounting hole acoustically and so aid compliance with Part E: Resistance to the passage of sound.