

EVENTUALLY, YOU MAY WANT TO REPLACE THIS PRODUCT:

Regulations require the recycling of Waste from Electrical and Electronic Equipment (European "WEEE Directive" effective August 2005—UK WEEE Regulations effective 2nd January 2007). Environment Agency Registered Producer: WEE/ GA0248QZ.

WHEN YOUR PRODUCT COMES TO THE END OF ITS LIFE OR YOU CHOOSE TO REPLACE IT, PLEASE RECYCLE IT WHERE FACILITIES EXIST - DO NOT DISPOSE WITH HOUSEHOLD WASTE.

IF YOU EXPERIENCE PROBLEMS:

If you believe your product is defective, please return it to the place where you bought it. Our Technical Team will gladly advise on any Eterna Lighting product, but may not be able to give specific instructions regarding individual installations.

For breakage information visit:
www.eterna-lighting.co.uk

LAMP REPLACEMENT:

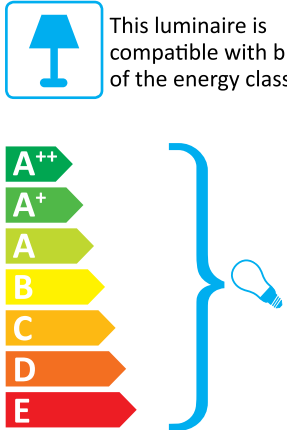
01. Switch off the electricity at the mains.
02. Remove the decorative trim, then remove and replace lamp.
03. Re-fit trim and ensure that it is tightened securely. Take care not to over-tighten.
04. Restore the power and switch on.

LAMP TYPE:


GU10 PAR16 Halogen or suitable energy saving alternative max 50W.

NOTE: a good quality lamp with aluminium reflector should be used in this fitting to ensure maximum heat projection out of the fitting and minimise accumulation inside the fitting and ceiling space.

Eterna FIRE RANGE



This luminaire is compatible with bulbs of the energy classes:

874/2012 



INSTALLATION INSTRUCTIONS

A guide for qualified electricians

Pack contents:

- 1 x Downlight fitting c/w connection box



Model:
FIRECR / FIRESN / FIREWH
FIREILTCR / FIREILTSTN / FIREILTWH
GU10 Fire Rated Downlights

These instructions are provided as a guideline to assist you.

**PLEASE READ THESE INSTRUCTIONS BEFORE INSTALLATION
AND RETAIN FOR FUTURE REFERENCE**



Email: sales@eterna-lighting.co.uk / technical@eterna-lighting.co.uk

Visit our website: www.eterna-lighting.co.uk

Made in China

READ THIS FIRST:

Check the pack and make sure you have all of the parts listed on the front of this booklet. If not, contact the outlet where you bought this product.

This light fitting must be installed by a competent person in accordance with the Building Regulations making reference to the current edition of the IEE Wiring Regulations (BS7671).

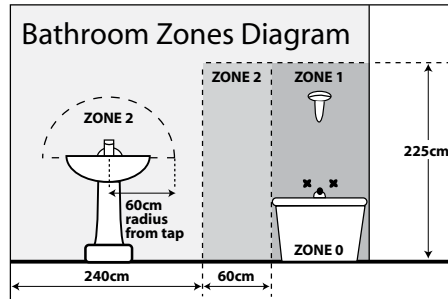
As the buyer, installer and/or user of this product it is your own responsibility to ensure that this fitting is fit for the purpose for which you have intended it. Eterna Lighting cannot accept any liability for loss, damage or premature failure resulting from inappropriate use.

Switch off the mains before commencing installation and remove the appropriate circuit fuse.

When working at heights, please use a suitable platform.

Suitable for indoor use only.

These downlights are suitable for use in living areas only. If being fitted in a bathroom a 30mA RCD must be used.



This product is suitable for installation on surfaces with normal flammability e.g. wood, plasterboard, or masonry. It is not suitable for use on highly flammable surfaces (e.g. polystyrene, textiles).

If installing / mounting a light fitting to a plastic ceiling, you must seek advice from the ceiling manufacturer regarding the type and specification of light fittings that may be used. Light fittings that generate and retain heat such as halogen downlights may damage or discolour a plastic ceiling.

Before making fixing hole(s), check that there are no obstructions hidden beneath the mounting surface such as pipes or cables.

The fitting must be positioned so that there is at least 0.5M (500mm) between the bulb and any illuminated surface.

If the location of your new fitting requires the provision of a new electrical supply, the supply must conform with the requirements of the Building Regulations making reference to the current edition of the IEE Wiring Regulations (BS7671).

This product is designed for permanent connection to fixed wiring: this should be a suitable lighting circuit (protected with an appropriate MCB or fuse).

Make connections to the electrical supply in accordance with the following code:

Live - Brown or Red
Neutral - Blue or Black

When making connections, ensure that the terminals are tightened securely and that no strands of wire protrude. Check that the terminals are tightened onto the bared conductors and not onto any insulation.

You are advised at every stage of your installation to double-check any electrical connections you have made. After you have completed your installation there are electrical tests that should be carried out: these tests are specified in the Wiring Regulations (BS7671) referred to in the Building Regulations.

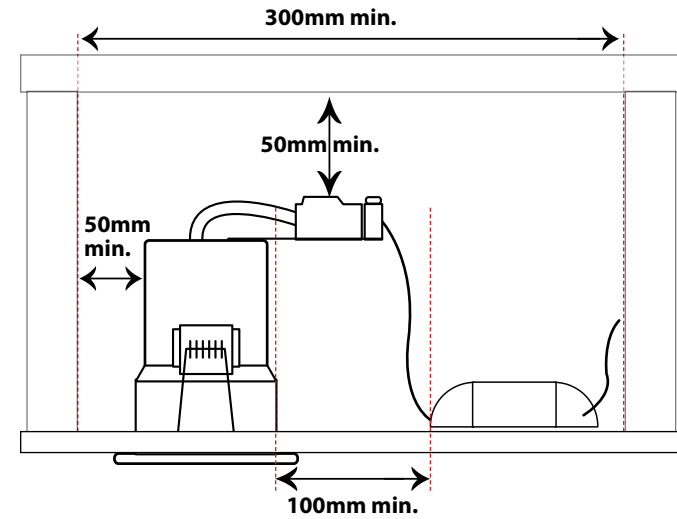
CLEANING:

Clean this light fitting only with a soft dry cloth.

Do not use any chemical or abrasive cleaners.

NOTE: Do not cover the fitting with any insulating materials.

A clear space is required around the fitting for ventilation. If installing in a ceiling with insulation laid over, separate means must be employed to raise the insulation and ensure the space shown in the diagrams opposite is maintained.



INSTALLATION:

01. Choose the location of your new downlight giving consideration to all of the conditions listed above.
02. Make a round fixing hole. Ensure that the hole is cut accurately, we recommend the use of a circular hole cutter.
03. Make the electrical connections to the terminal block according to the instructions above.
04. Remove the twist-lock lamp retaining ring.
05. Press the spring clips on the sides of the fitting upwards against the body of the fitting and offer the body into the fixing hole.
06. Allow spring clips to pass through the hole.
07. Press the fitting firmly into place until it is retained by the strength of the springs. The fitting may require some manipulation in order to pass through the hole. Do not enlarge the hole to make fitting easier.
08. Check that the gaskets are in place, intact and that the white silicon gasket makes a good even seal around the fitting against the mounting surface.
09. Fit the lamp to the lampholder.
10. Offer the lamp into the bottom of the fitting and replace twist-lock retaining ring.
11. Restore the power supply and switch on.

OPERATION:

01. The grey gasket inside the fitting is made from an intumescent material which will expand to fill the space inside in the event of fire. This will aid compliance with Part B and the resistance to the passage of fire. The material will expand up to 30x its original thickness to resist fire passing through the fitting.

