

LED LAMP SPECIFICATIONS:	50W	80W	120W	200W
Luminaire lumens (with diffuser)	<b>5400 lm</b>	<b>9400 lm</b>	<b>14500 lm</b>	<b>23000 lm</b>
Lumens from chip (no diffuser)	<b>6900 lm</b>	<b>11000 lm</b>	<b>16500 lm</b>	<b>27500 lm</b>
Useful lumens	<b>5000 lm</b>	<b>8500 lm</b>	<b>13300 lm</b>	<b>20100 lm</b>
Rated Wattage	50W	80W	120W	200W
Rated luminous flux	5000 lm	8500 lm	13300 lm	20100 lm
Nominal life time of the lamp	25,000 hrs	25,000 hrs	25,000 hrs	25,000 hrs
Colour temperature	4000K	4000K	4000K	4000K
Number of switching cycles before premature lamp failure	12,500	12,500	12,500	12,500
Warm-up time up to 60% of the full light output	<1s	<1s	<1s	<1s
Dimmable	No	No	No	No
Nominal beam angle	120°	120°	120°	120°
Rated power	50W	80W	120W	200W
Rated lamp lifetime	25,000 hrs	25,000 hrs	25,000 hrs	25,000 hrs
Lamp power factor	>0.9	>0.9	>0.9	>0.9
Lumen maintenance factor at end of nominal life	>0.7	>0.7	>0.7	>0.7
Starting time	<0.5	<0.5	<0.5	<0.5
Colour rendering	>80	>80	>80	>80
Colour consistency	Within a six step Macadam ellipse	Within a six step Macadam ellipse	Within a six step Macadam ellipse	Within a six step Macadam ellipse
Rated peak intensity	2709cd	4268cd	6402cd	11389cd
Rated beam angle	120°	120°	120°	120°
Voltage / Frequency	240V~50Hz	240V~50Hz	240V~50Hz	240V~50Hz

Not suitable for accent lighting

#### EVENTUALLY, YOU MAY WANT TO REPLACE THIS PRODUCT:

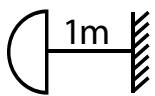
Regulations require the recycling of Waste from Electrical and Electronic Equipment (European "WEEE Directive" effective August 2005—UK WEEE Regulations effective 2nd January 2007). Environment Agency Registered Producer: WEE/ GA0248QZ.

WHEN YOUR PRODUCT COMES TO THE END OF ITS LIFE OR YOU CHOOSE TO REPLACE IT, PLEASE RECYCLE IT WHERE FACILITIES EXIST - DO NOT DISPOSE WITH HOUSEHOLD WASTE.

#### IF YOU EXPERIENCE PROBLEMS:

If you believe your product is defective, please return it to the place where you bought it. Our Technical Team will gladly advise on any Eterna Lighting product, but may not be able to give specific instructions regarding individual installations.

UK  
CA



IP65



Email: [sales@eterna-lighting.co.uk](mailto:sales@eterna-lighting.co.uk) / [technical@eterna-lighting.co.uk](mailto:technical@eterna-lighting.co.uk)

Visit our website: [www.eterna-lighting.co.uk](http://www.eterna-lighting.co.uk)

Made in China

Issue 0321



# Eterna

Everyday Lighting For Professionals

## INSTALLATION INSTRUCTIONS

A guide for qualified electricians

#### Pack Contents:

1 x fitting complete with 3 core x 0.8m cable



FLOOD80W shown

Model:

**FLOOD50W / FLOOD80W**  
**FLOOD120W / FLOOD200W**  
**50W / 80W / 120W / 200W LED Floodlights**

These instructions are provided as a guideline to assist you.

**PLEASE READ THESE INSTRUCTIONS BEFORE INSTALLATION AND RETAIN FOR FUTURE REFERENCE**

### READ THIS FIRST:

Check the pack and make sure you have all of the parts listed on the front of this booklet. If not, contact the outlet where you bought this product.

**This light fitting must be installed by a competent person in accordance with the current building and IEE wiring regulations.**

As the buyer, installer and/or user of this product it is your own responsibility to ensure that this fitting is fit for the purpose for which you have intended it. Eterna Lighting cannot accept any liability for loss, damage or premature failure resulting from inappropriate use.

This product is designed and constructed according to the principles of the appropriate British Standard.

Switch off the mains before commencing installation and remove the appropriate circuit fuse or lock off MCB.

This unit is suitable for outdoor use.

This product is suitable for installation on surfaces with normal flammability e.g. wood, plasterboard and masonry. It is not suitable for use on highly flammable surfaces (e.g. polystyrene, textiles).

Before making fixing hole(s), check that there are no obstructions hidden beneath the mounting surface such as pipes or cables.

Make sure that the fixings are strong enough to support the considerable weight of the fitting and hold it rigidly.

The lamp must be positioned so that there is at least 1m between the bulb and any illuminated surface. Floodlights should be positioned well away from flammable materials.

Do not attach to surfaces which are damp, freshly painted or otherwise electrically conductive (e.g. metallic surfaces).

This product is designed for permanent connection to fixed wiring: this must be a suitable circuit (protected with the appropriate MCB or fuse).

When making connections ensure that the terminals are tightened securely and that no strands of wire protrude. Check that the terminals are tightened onto the bared conductors and not onto any insulation.

**This product must be connected to an earth termination.**

This product is not intended to be used by children and persons with sensory, physical and/or mental impairments that would prevent them from using it safely.

**IMPORTANT** - if the external flexible cable of this luminaire is damaged it should be exclusively replaced by a qualified electrician.

You are advised at every stage of your installation to double-check any electrical connections you have made. After you have completed your installation there are electrical tests that should be carried out, these tests are specified in the current IEE wiring and building regulations. If in doubt, consult a qualified electrician.

**Do not carry or lift the floodlight by the mains supply cable.**

### LAMP REPLACEMENT:

**The light source is designed to last the lifetime of the luminaire.**

The light source contained in this luminaire shall only be replaced by the manufacturer, service agent or a similar qualified person.

**CAUTION, RISK OF ELECTRIC SHOCK.**



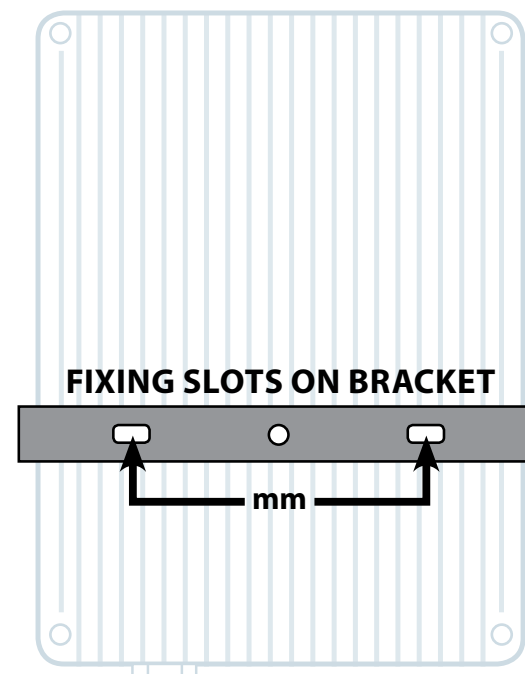
### CLEANING:

Clean this light fitting only with a soft dry cloth.

Do not use any chemical or abrasive cleaners.

### INSTALLATION:

1. Choose the location for your new light fitting giving considerations to the points listed opposite.
2. Isolate mains.
3. Using the bracket, mark fixing points and drill fixing holes, according to your chosen fixing method (fixings not included). See diagram opposite for marking measurements.
4. Terminate loose ends of wire to an appropriate IP rated junction box or similar, ensuring the Live, Earth and Neutral polarities are observed.  
  
Live - Brown / Red  
Neutral - Blue / Black  
Earth - Yellow / Green
5. Restore power and test the luminaire.
6. Adjust floodlight head towards the area to be illuminated and secure in place.



FLOOD50W - 90mm  
FLOOD80W - 120mm  
FLOOD120W - 130mm  
FLOOD200W - 160mm

