



5 Year Warranty



120° PIR



Earthed



Quick fix bracket



KFLD20 with KFLDPIR



KFLD30



KFLD10

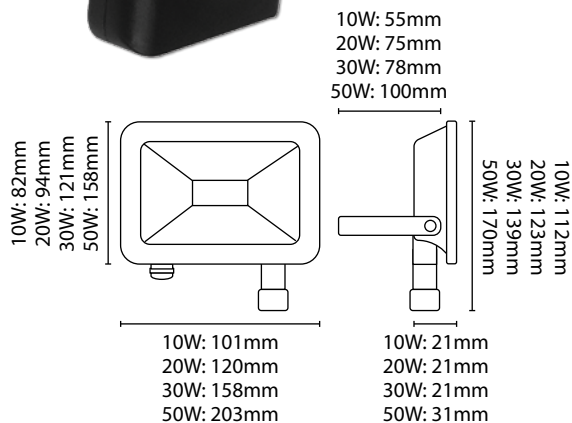


IP65 LED FLOODLIGHTS / 120° PIR ATTACHMENT OPTION

- Aluminium body with tempered glass diffuser
- Pre-wired with 22cm 3 core flex • Quick fix bracket

KFLDPIR:

- Vertically and horizontally adjustable PIR
- Time on adjustment: 10 sec ± 3 sec - 7 min ± 2 min
- Lux level adjustments: 5 Lux ~ 2000 Lux
- 120° detection angle
- 10 metre detection range



LED LAMP SPECIFICATIONS:	10W	20W	30W	50W
Luminaire lumens (with diffuser)	900 lm	1800 lm	2800 lm	4500 lm
Lumens from chip (no diffuser)	1000 lm	2000 lm	3000 lm	5000 lm
Useful lumens	800 lm	1600 lm	2400 lm	4000 lm
Rated Wattage	10W	20W	30W	50W
Rated luminous flux	800 lm	1600 lm	2400 lm	4000 lm
Nominal life time of the lamp	25,000 hrs	25,000 hrs	25,000 hrs	25,000 hrs
Colour temperature	4000K	4000K	4000K	4000K
Number of switching cycles before premature lamp failure	12,500	12,500	12,500	12,500
Warm-up time up to 60% of the full light output	Instant Full Light	Instant Full Light	Instant Full Light	Instant Full Light
Dimmable	No	No	No	No
Nominal beam angle	110°	110°	110°	110°
Rated power	10W	20W	30W	50W
Rated lamp lifetime	25,000 hrs	25,000 hrs	25,000 hrs	25,000 hrs
Displacement factor	0.90	0.90	0.90	0.91
Lumen maintenance factor at end of nominal life	>0.80	>0.80	>0.80	>0.80
Starting time	<0.5s	<0.5s	<0.5s	<0.5s
Colour rendering	>80	>80	>80	>80
Colour consistency	Within a six step Macadam ellipse	Within a six step Macadam ellipse	Within a six step Macadam ellipse	Within a six step Macadam ellipse
Rated peak intensity	315.13cd	638.21cd	928.52cd	1619.17cd
Rated beam angle	110°	110°	110°	110°
Voltage / Frequency	240V~50-60Hz	240V~50-60Hz	240V~50-60Hz	240V~50-60Hz
This product contains a Light Source of Energy Efficiency Class E				
Not suitable for accent lighting				

Code	Wattage	Colour Temp.	Lumens	Avg. Rated Life (Hrs)	IP Rating	MOM / OPQ
KFLD10	10W	4000K	900 lm	25,000 hrs	IP65	1 / 60
KFLD20	20W		1800 lm			1 / 40
KFLD30	30W		2800 lm			1 / 30
KFLD50	50W		4500 lm			1 / 20
KFLDPIR	Quick Fix, Plug & Play PIR Attachment					1 / 100