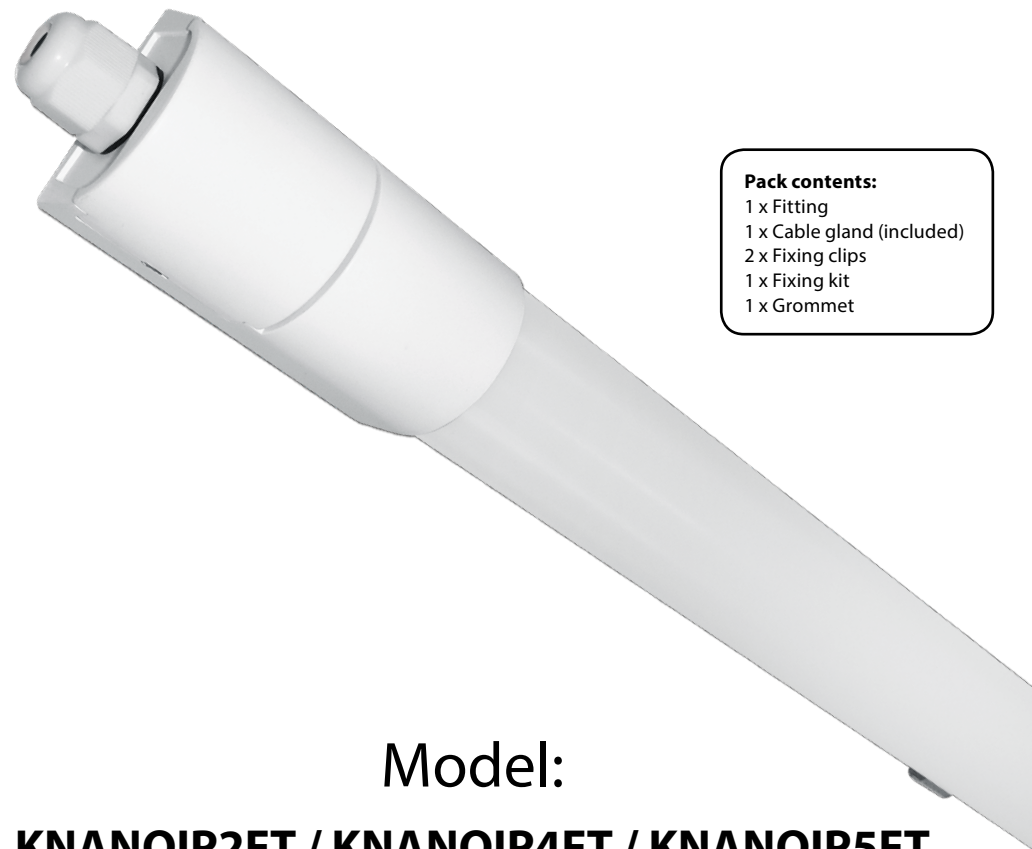




LED LAMP SPECIFICATIONS:	2ft	4ft	5ft
Luminaire lumens (with diffuser)	1800 lm	2550 lm	2870 lm
Lumens from chip (no diffuser)	1900 lm	2700 lm	3100 lm
Useful lumens	1700 lm	2400 lm	2780 lm
Rated Wattage	15W	20W	25W
Rated luminous flux	1700 lm	2400 lm	2780 lm
Nominal life time of the lamp	40,000 hrs	40,000 hrs	40,000 hrs
Colour temperature	4000K	4000K	4000K
Number of switching cycles before premature lamp failure	≥15,000	≥15,000	≥15,000
Warm-up time up to 60% of the full light output	Instant Full Light	Instant Full Light	Instant Full Light
Dimmable	No	No	No
Nominal beam angle	120°	120°	120°
Rated power	15W	20W	25W
Rated lamp lifetime	40,000 hrs	40,000 hrs	40,000 hrs
Lamp power factor	>0.55	>0.55	>0.9
Lumen maintenance factor at end of nominal life	≥0.70	≥0.70	≥0.70
Starting time	Instant full light	Instant full light	Instant full light
Colour rendering	≥80	≥80	≥80
Colour consistency	Within a six step Macadam ellipse	Within a six step Macadam ellipse	Within a six step Macadam ellipse
Rated peak intensity	507cd	716cd	837cd
Rated beam angle	120°	120°	120°
Voltage / Frequency	240V~50Hz	240V~50Hz	240V~50Hz
	Class 2 double insulated		
	Not suitable for accent lighting		

INSTALLATION INSTRUCTIONS

A guide for qualified electricians



Pack contents:
 1 x Fitting
 1 x Cable gland (included)
 2 x Fixing clips
 1 x Fixing kit
 1 x Grommet

Model:

KNANOIP2FT / KNANOIP4FT / KNANOIP5FT

IP65 NANO LED Utility Battens

These instructions are provided as a guideline to assist you.

PLEASE READ THESE INSTRUCTIONS BEFORE INSTALLATION AND RETAIN FOR FUTURE REFERENCE



Email: sales@eterna-lighting.co.uk / technical@eterna-lighting.co.uk

Visit our website: www.eterna-lighting.co.uk

Made in China

READ THIS FIRST:

Check the pack and make sure you have all of the parts listed on the front of this booklet. If not, contact the outlet where you bought this product.

This product must be installed by a competent person in accordance with the current building and IEE wiring regulations.

As the buyer, installer and/or user of this product it is your own responsibility to ensure that this fitting is fit for the purpose for which you have intended it. Eterna Lighting cannot accept any liability for loss, damage or premature failure resulting from inappropriate use.

This product is designed and constructed according to the principles of the appropriate British Standard and is intended for normal domestic service. Using this fitting in any other environments may result in a shortened working life, for example where there is prolonged periods of use or higher than normal ambient temperatures such as lighting public or shared spaces or in nursing /care home facilities.

Switch off the mains before commencing installation and remove the appropriate circuit fuse or lock off MCB.

This product is suitable for use in living areas, and Bathroom Zone 2 and outside of zones.

If being fitted in a bathroom a 30mA RCD must be used.

The chosen location of your new fitting should allow for the product to be securely mounted (e.g. to a ceiling joist) and safely connected to the mains supply (lighting circuit).

When making connections ensure that the terminals are tightened securely and that no strands of wire protrude. Check that the terminals are tightened onto the bared conductors and not onto any insulation.

This product is double insulated, do not connect any part to Earth.

This product is not intended to be used by children and persons with sensory, physical and/or mental impairments that would prevent them from using it safely.

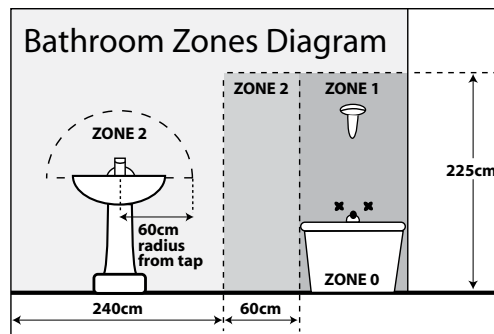
You are advised at every stage of your installation to double-check any electrical connections you have made. After you have completed your installation there are electrical tests that should be carried out, these tests are specified in the current IEE wiring and building regulations.

LAMP REPLACEMENT:

The light source is designed to last the lifetime of the luminaire.

The light source contained in this luminaire shall only be replaced by the manufacturer, service agent or a similar qualified person.

CAUTION, RISK OF ELECTRIC SHOCK.



This product is designed for permanent connection to fixed wiring: this must be a suitable circuit (protected with the appropriate MCB or fuse).

This product is suitable for installation on surfaces with normal flammability e.g. wood, plasterboard and masonry. It is not suitable for use on highly flammable surfaces (e.g. polystyrene, textiles).

Before making fixing hole(s), check that there are no obstructions hidden beneath the mounting surface such as pipes or cables.

INSTALLATION:

01. Chose location of your new fitting giving consideration to all of the conditions listed above and the position of the entry points for the mains supply cable.
02. Drill holes for fixing locations of the mounting clips and secure them to the mounting surface using the fixings supplied or a suitable alternative to suit the site conditions.
03. Suggested fixing centres for mounting clips:
KNANIOP2FT - 400mm
KNANIOP4FT - 900mm
KNANIOP5FT - 1200mm
04. Carefully remove the snap-on terminal cover to reveal cable entry position and terminal connections.
05. Drill out preferred cable entry position on either the end or back of the terminal box and insert cable gland.
06. Insert cable through cable gland and connect stripped cables to the push terminals inside the fitting using the colour coding below:

Neutral - Blue
Live - Brown
07. There is an alternative rear cable entry position shown in the body moulding, if this option is required then this should be drilled to ensure a smooth cut to help maintain the IP Rating and a suitable plug fitted to seal the end cable entry hole.
08. Secure cable gland to ensure tight seal around the cable to maintain IP Rating.
09. Replace terminal cover.
10. Snap fitting onto mounting clips.
11. Restore power and switch on.

EVENTUALLY, YOU MAY WANT TO REPLACE THIS PRODUCT:

Regulations require the recycling of Waste from Electrical and Electronic Equipment (European "WEEE Directive" effective August 2005—UK WEEE Regulations effective 2nd January 2007). Environment Agency Registered Producer: WEE/GA0248QZ.

WHEN YOUR PRODUCT COMES TO THE END OF ITS LIFE OR YOU CHOOSE TO REPLACE IT, PLEASE RECYCLE IT WHERE FACILITIES EXIST - DO NOT DISPOSE WITH HOUSEHOLD WASTE.

CLEANING:

Clean this fitting only with a soft dry cloth.

Do not use any chemical or abrasive cleaners.

IF YOU EXPERIENCE PROBLEMS:

If you believe your product is defective, please return it to the place where you bought it. Our Technical Team will gladly advise on any Eterna Lighting product, but may not be able to give specific instructions regarding individual installations.