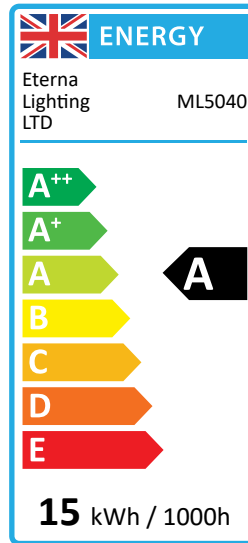


### LAMP SPECIFICATIONS:

Nominal Wattage	15W
Rated Wattage	15W
Average lifetime hours	15,000 hrs
Nominal useful luminous flux	<b>1010 lm</b>
Rated luminous flux	1010 lm
Luminous efficacy (Lm/W) in 50Hz operation	67
Luminous efficacy (Lm/W) in HF operation	67
Rated lamp Lumen maintenance	2000hrs: 95%
	4000 hrs: 92%
	6000 hrs: 91%
	8000 hrs: 91%
	12000 hrs: 85%
Rated survival factors	2000hrs: 99%
	4000 hrs: 97%
	6000 hrs: 95%
	8000 hrs: 91%
	12000 hrs: 85%
Lamp dimensions (mm)	450mm
Cap type	G13
Lamp Mercury content to an accuracy of 0.1mg	≤2.5mg
Colour rendering index Ra	≥80
Colour temperature	2700K
Ambient temperature required to achieve maximum luminous flux	25°C
Dimmable	No
Ballast EEI	A2



## INSTALLATION INSTRUCTIONS

A guide for qualified electricians



#### Pack contents:

- 1 x Mirror light
- 2 x 15W G13 T8 450mm tubes
- 1 x Fixing kit

Model:

# ML5040

## Mirror Light With Dual Voltage Shaver Socket

These instructions are provided as a guideline to assist you.

**PLEASE READ THESE INSTRUCTIONS BEFORE INSTALLATION  
AND RETAIN FOR FUTURE REFERENCE**



Email: [sales@eterna-lighting.co.uk](mailto:sales@eterna-lighting.co.uk) / [technical@eterna-lighting.co.uk](mailto:technical@eterna-lighting.co.uk)

Visit our website: [www.eterna-lighting.co.uk](http://www.eterna-lighting.co.uk)

Made in China

## READ THIS FIRST:

Check the pack and make sure you have all of the parts listed on the front of this booklet. If not, contact the outlet where you bought this product.

This product contains glass, care must be taken when assembling, fitting or handling to prevent personal injury or damage to the product.

This light fitting must be installed in accordance with the Building Regulations making reference to the current edition of the IEE Wiring Regulations (BS7671). The Building Regulations may be obtained from OPSI (Office of Public Sector Information) or viewed and downloaded from [www.communities.gov.uk](http://www.communities.gov.uk) following the link for Building Regulations.

Switch off the mains before commencing installation and remove the appropriate circuit fuse.

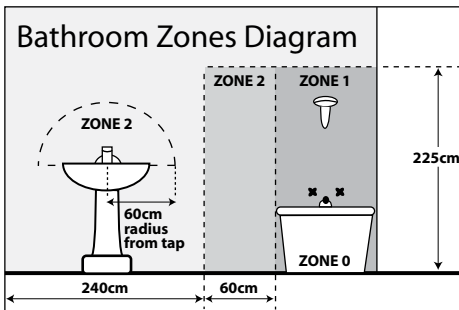
This fitting contains an isolating transformer rated at 20W maximum and is only intended for use with electric shavers. It is possible to connect other devices to the socket outlet such as chargers for electric toothbrushes provided they are fitted with the correct plug. Use of the socket to power equipment requiring greater than 20W will cause the transformer to overheat and/or stop working altogether. Please refer to the manufacturers instructions supplied with your appliance to determine whether it is suitable for use in the location where you have installed your shaver light and that the power consumption is less than 20W.

The switch in your fitting turns the light on and off. The sockets are permanently live.

When using the shaver socket, ensure that the correct socket is used according to the working voltage of your appliance. Connecting your appliance to the wrong socket could cause permanent damage to your appliance, your fitting or both.

Suitable for indoor use only.

This fitting is suitable for use in bathrooms in Zone 2 or outside. This fitting must not be installed in zones 0, 1 see diagram below:



This product is suitable for installation on surfaces with normal flammability (indicated by the "F" in a triangle) e.g. wood, plasterboard, masonry. It is not suitable for use on highly flammable surfaces (e.g. polystyrene, textiles).

Before making fixing hole(s), check that there are no obstructions hidden beneath the mounting surface such as pipes or cables.

The chosen location of your new fitting should allow for the product to be securely mounted and safely connected to the mains supply (lighting circuit).

The fitting, especially the shaver socket, should be placed where it cannot be splashed.

This product is designed for permanent connection to fixed wiring: this should be either a suitable lighting circuit (protected with a 5 or 6 Amp MCB or fuse) or a fused spur (with a 3 Amp fuse) via a fused connection unit. We recommend that the supply incorporates a switch for ease of operation.

Make connections to the electrical supply in accordance with the following code:

Live - Brown or Red  
Neutral - Blue or Black  
Earth - Green and Yellow

This product must be connected to Earth.

When making connections, ensure that the terminals are tightened securely and that no strands of wire protrude. Check that the terminals are tightened onto the bared conductors and not onto any insulation. Wrap loose terminal blocks well with insulating tape.

Disconnect the fitting from the electrical supply before flash or high voltage testing.

Suitable for indoor use only.

If the location of your new fitting requires the provision of a new electrical supply, the supply must conform with the requirements of the Building Regulations making reference to the current edition of the IEE Wiring Regulations (BS7671).

You are advised at every stage of your installation to double-check any electrical connections you have made. After you have completed your installation there are electrical tests that should be carried out: these tests are specified in the Wiring Regulations (BS7671) referred to in the Building Regulations.

## INSTALLATION:

01. Choose the location for your mirror light complying with the conditions listed opposite.
02. Lay the fitting flat and remove the four screws that retain the mirror (two each side).
03. Lift the mirror off of the fitting and store safely.
04. Using the metal case as a template, mark the position of the fixing holes. Laying a spirit level across the top of the metal case will help ensure that your mirror is installed level.
05. Prepare the fixing holes as appropriate to your mounting surface.
06. Pierce the rubber grommet in the cable entry hole that you intend to use. Do not make the hole too large, the rubber grommet must make a watertight seal around the supply cable.
07. Thread the supply cable through the pierced grommet.
08. Secure the metal case to the wall using the fixings supplied. If the fixings supplied are not appropriate to your installation, use suitable alternatives.
09. Remove the plastic box covering the mains terminals and shaver socket transformer.
10. Make the electrical connections according to the colour code opposite.
11. Re-fit the plastic cover over the terminals and transformer.
12. Fit the fluorescent tubes by slotting into the lampholders and turning through approx 90° or until they click softly into position.
13. Check that the soft gasket is correctly positioned around the facing edge of the metal case.
14. Replace the mirror and secure in position using the four screws removed previously. Press firmly on the mirror to ensure a tight fit against the gasket before tightening screws.
15. Restore the power and switch on.

## LAMP REPLACEMENT:

1. Switch off the electricity at the mains.
2. Remove the four retaining screws (two each side) and lift off the mirror.
3. Remove and replace tube(s). Fit the fluorescent tubes by slotting into the lampholders and turning through approx 90° or until they click softly into position making sure that the tube is of the same type and wattage as stated on the relamping label.
4. Check that the soft gasket is correctly positioned around the facing edge of the metal case.
5. Replace the mirror and secure in position using the four screws removed previously. Press firmly on the mirror to ensure a tight fit against the gasket and tighten the screws.
6. Restore the power and switch on.

## REPLACEMENT LAMP TYPE:

Requires 2 x 15W G13 T8 450mm fluorescent tubes 2700K (included).

Fitting is rated at 15W max (per lampholder).

## EVENTUALLY, YOU MAY WANT TO REPLACE THIS PRODUCT:

Regulations require the recycling of Waste from Electrical and Electronic Equipment (European "WEEE Directive" effective August 2005—UK WEEE Regulations effective 2nd January 2007). Environment Agency Registered Producer: WEE/GA0248QZ.

WHEN YOUR PRODUCT COMES TO THE END OF ITS LIFE OR YOU CHOOSE TO REPLACE IT, PLEASE RECYCLE IT WHERE FACILITIES EXIST - DO NOT DISPOSE WITH HOUSEHOLD WASTE.

## CLEANING:

Clean this light fitting only with a soft dry cloth.

Do not use any chemical or abrasive cleaners.

## IF YOU EXPERIENCE PROBLEMS:

If you believe your product is defective, please return it to the place where you bought it. Our Technical Team will gladly advise on any Eterna Lighting product, but may not be able to give specific instructions regarding individual installations.

## NOTE:

The shaver socket supplied with this unit is designed for standard shaver plugs and may not be suitable for other devices i.e. electric toothbrushes