

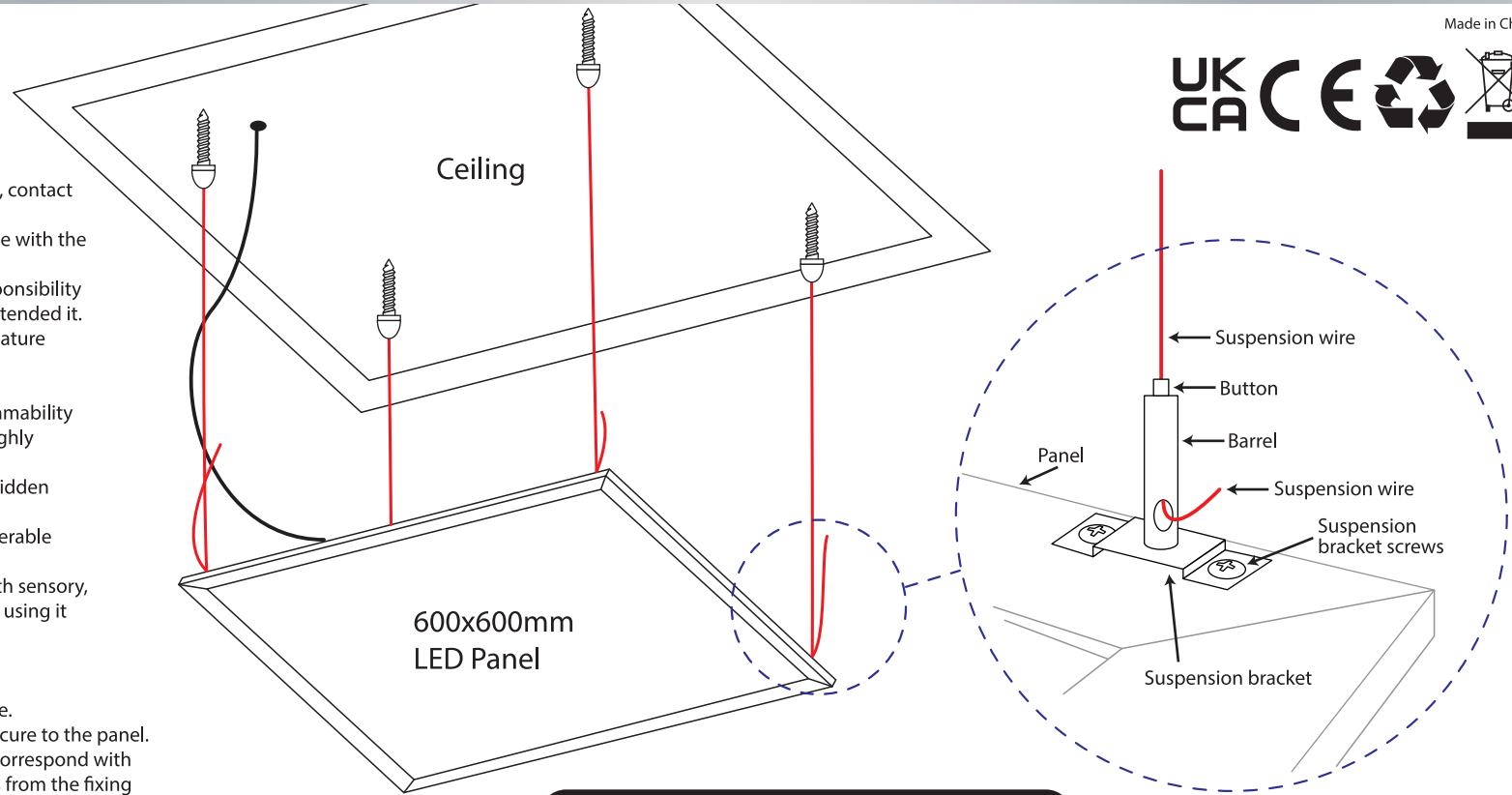
# PANSUSKIT

## READ THIS FIRST:

- Check the pack and make sure you have all of the parts listed. If not, contact the outlet where you bought this product.
- This product must be installed by a competent person in accordance with the current building regulations.
- As the buyer, installer and/or user of this product it is your own responsibility to ensure that this fitting is fit for the purpose for which you have intended it. Eterna Lighting cannot accept any liability for loss, damage or premature failure resulting from inappropriate use.
- This unit is suitable for indoor use only.
- This product is suitable for installation on surfaces with normal flammability e.g. wood, plasterboard and masonry. It is not suitable for use on highly flammable surfaces (e.g. polystyrene, textiles).
- Before making fixing hole(s), check that there are no obstructions hidden beneath the mounting surface such as pipes or cables.
- Make sure that the fixings are strong enough to support the considerable weight of the fitting and hold it rigidly.
- This product is not intended to be used by children and persons with sensory, physical and/or mental impairments that would prevent them from using it safely.

## INSTALLATION:

1. Press button on the top of the barrel to release the suspension wire.
2. Ensure the barrel is secured to the suspension bracket and then secure to the panel.
3. For each of the suspension positions, remove the 2 screws which correspond with the suspension bracket centres and replace with the longer screws from the fixing kit to secure the suspension brackets on to your Eterna panel fitting.
4. Mark the position of your fixing holes on your mounting surface and screw the top of the ceiling cup to the ceiling.
5. Attach the rest of the ceiling cup to the mounting surface.
6. Insert the suspension wire into the barrel to desired height.



## Ceiling Hanging / Suspension

