

INSTALLATION INSTRUCTIONS

A guide for qualified electricians

SPECIFICATION:

- Detection range: Approx 120° (horizontal), max. 12 metres
- Duration time from: (10±5) seconds to (4±1) minutes adjustable
- Weatherproof: IP44
- Voltage: 230V ~ 50 Hz
- Wattage: The fitting is rated at 60W max.
- LUX control level: From daylight to night adjustable
- Protection: Class I

LAMP REPLACEMENT:

- Switch off the electricity at the mains.
- Release front diffuser cover with screwdriver.
- Remove and replace lamp making sure it sits correctly in the lampholder.
- Replace front diffuser cover by hand.
- Restore power.

REPLACEMENT LAMP TYPE:

Requires 1 x suitable BC energy saving lamp.

Wattage: Fitting is rated at 60W
 Supply Voltage: 230V
 Type: B22

CLEANING:

- To avoid dust build-up and ensure proper functioning of the bulkhead light, please wipe the sensor lens lightly with a damp cloth every 3 months.
- Disconnect the power and clean the exterior only of this fitting with a moist (not wet) cloth.
- Do not use any chemical or abrasive cleaners.

EVENTUALLY, YOU MAY WANT TO REPLACE THIS PRODUCT:

Regulations require the recycling of Waste from Electrical and Electronic Equipment (European "WEEE Directive" effective August 2005—UK WEEE Regulations effective 2nd January 2007). Environment Agency Registered Producer: WEE/GA0248QZ.

WHEN YOUR PRODUCT COMES TO THE END OF ITS LIFE OR YOU CHOOSE TO REPLACE IT, PLEASE RECYCLE IT WHERE FACILITIES EXIST - DO NOT DISPOSE WITH HOUSEHOLD WASTE.

IF YOU EXPERIENCE PROBLEMS:

If you believe your product is defective, please return it to the place where you bought it. Our Technical Team will gladly advise on any Eterna Lighting product, but may not be able to give specific instructions regarding individual installations.



Pack contents:

Bulkhead x 1
 Fixing Kit x 1

Model:

PIR80BK

Bulkhead with 120° PIR

These instructions are provided as a guideline to assist you.

**PLEASE READ THESE INSTRUCTIONS BEFORE INSTALLATION
 AND RETAIN FOR FUTURE REFERENCE**



Email: sales@eterna-lighting.co.uk / technical@eterna-lighting.co.uk

Visit our website: www.eterna-lighting.co.uk

Made in China

Issue 0321

INTRODUCTION:

The bulkhead light incorporates a PIR (passive Infra red) sensing device which continuously scans a preset operating zone and immediately switches the light on when it detects movement in that area.

This means that whenever movement is detected within the range of the sensor the light will switch on automatically to illuminate the area you have selected to light. While there is movement within range of the unit the light will remain on.

READ THIS FIRST:

Check the pack and make sure you have all of the parts listed on the front of this booklet. If not, contact the outlet where you bought this product.

This product must be installed by a competent person in accordance with the current building and IEE wiring regulations.

As the buyer, installer and/or user of this product it is your own responsibility to ensure that this fitting is fit for the purpose for which you have intended it. Eterna Lighting cannot accept any liability for loss, damage or premature failure resulting from inappropriate use.

This product is designed and constructed according to the principles of the appropriate British Standard and is intended for normal domestic service. Using this fitting in any other environments may result in a shortened working life.

Switch off the mains before commencing installation and remove the appropriate circuit fuse or lock off MCB.

This unit is suitable for outdoor use.

This product is designed for permanent connection to fixed wiring: this must be a suitable circuit (protected with the appropriate MCB or fuse).

Before making fixing hole(s), check that there are no obstructions hidden beneath the mounting surface such as pipes or cables.

Make sure that the fixings are strong enough to support the considerable weight of the fitting and hold it rigidly.

The lamp must be positioned so that there is at least 0.5m (500mm) between the bulb and any illuminated surface.

When making connections ensure that the terminals are tightened securely and that no strands of wire protrude. Check that the terminals are tightened onto the bared conductors and not onto any insulation.

This product must be connected to earth termination.

WARNING: This product becomes hot!

This product is not intended to be used by children and persons with sensory, physical and/or mental impairments that would prevent them from using it safely.

IMPORTANT: Always switch off the mains power before changing the lamp.

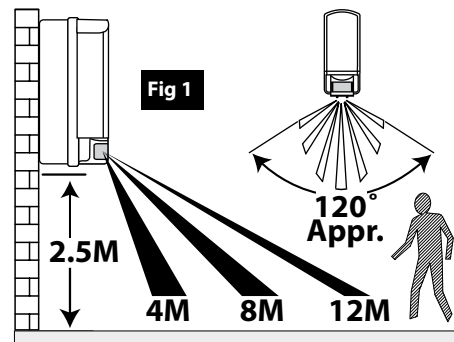
You are advised at every stage of your installation to double-check any electrical connections you have made. After you have completed your installation there are electrical tests that should be carried out, these tests are specified in the current IEE wiring and building regulations.

WHERE TO FIT YOUR PIR BULKHEAD:

To achieve best results we suggest you take the following points into consideration:

Do not mount on a surface that has vibration.

Ideally the PIR bulkhead light should be mounted 1.8 to 2.5 metres (6 to 8ft) above the area to be scanned (refer to Fig. 1 below).



To avoid damage to the unit do not aim sensor towards the sun.

Avoid positioning the sensor unit adjacent to a bright light source which may prevent the unit from operating when the lux control is set to operate in dark conditions.

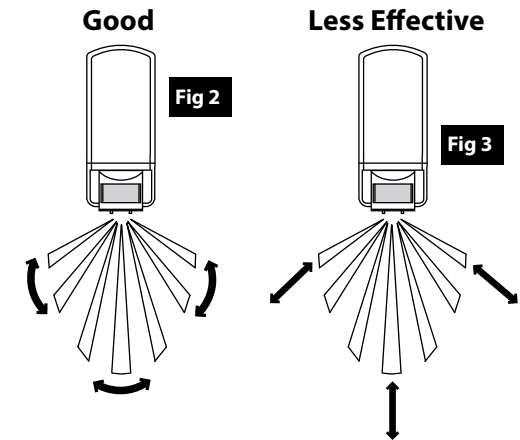
Avoid nuisance false triggering by directing sensor away from:

Trees and shrubs
Reflective surfaces such as smooth white walls
Swimming pools
Heat sources such as boiler flues

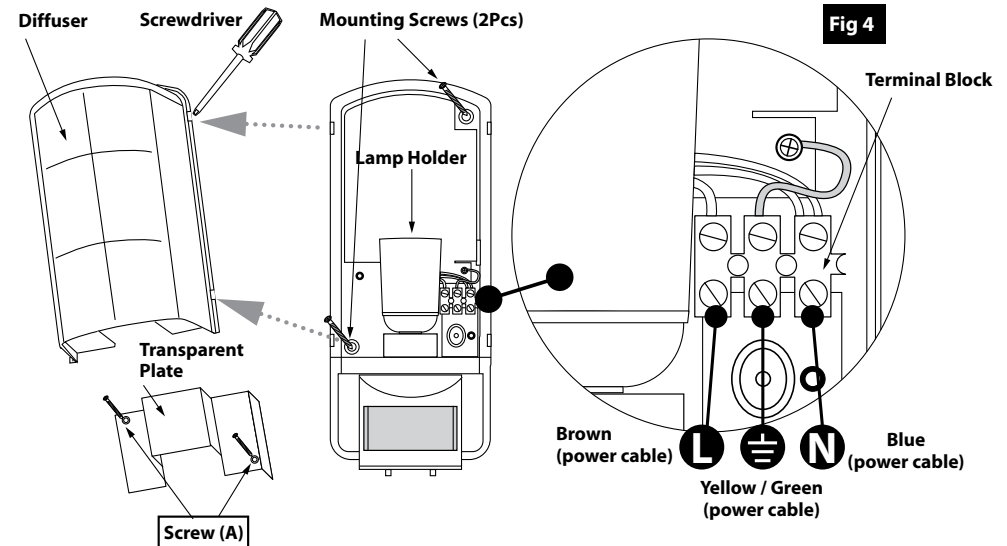
The PIR sensor scanning specifications (approximately 12 metres at 120°) may vary slightly depending on the mounting height and location.

The detection range of the unit may also alter with temperature change. Before selecting a place to install your PIR bulkhead you should note that movement across the scan area is more effective than movement directly towards or away from the sensor. (refer to Fig. 2).

If movement is made walking directly towards or away from the sensor and not across the apparent detection range will be substantially reduced (refer to Fig. 3).



INSTALLATION:



When installing the PIR bulkhead light, please refer to Fig. 4 above.

- 01) Switch off the mains power before commencing installation.
- 02) Remove the diffuser using a screwdriver, see Fig. 4 above.
- 03) Unscrew the screw (A) and remove the transparent terminal cover plate.
- 04) Position the fitting on the surface where its to be installed and mark the mounting hole positions. Drill and plug the wall at the marked positions and pass cable wire through rubber grommet. Screw and fix the lamp body to wall with suitable mounting screws (supplied).

05) Connect the main power wires to the terminal block (see the relative symbols - Fig. 4 above).

06) Insert the lamp into the (B22) lampholder.

07) Re-screw transparent plate.

08) Refit the diffuser.

09) Restore power, wait 30 seconds for circuit to stabilise.

10) Set controls.

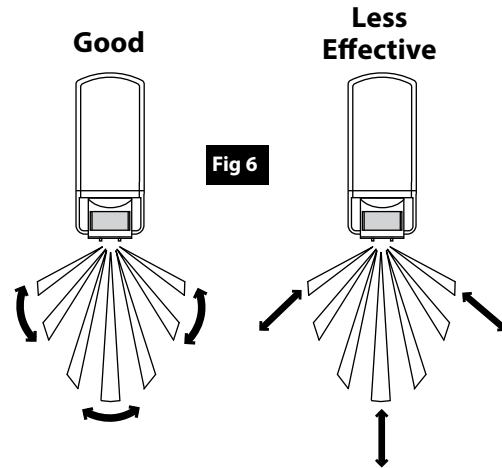
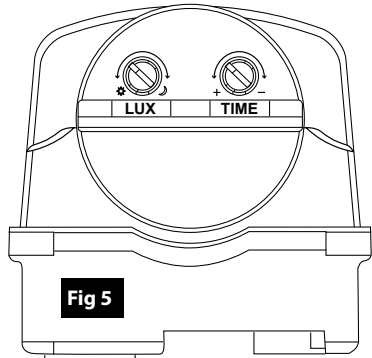
UNDERSTANDING THE CONTROLS:

(Referring to Fig. 5 below)

ADJUSTING THE DURATION TIME:

The length of time that the light remains switched on after activation can be adjusted from (10±5) seconds to (4±1) minutes. Rotating the TIME control from (+) to (-) (clockwise) will reduce the time duration.

Note: Once the light has been triggered by the PIR sensor any subsequent detection will start the timed period again from the beginning.



ADJUSTING THE LUX CONTROL LEVEL:

The lux control module has a built-in sensing device (photo cell) that detects daylight and darkness. The (☼) position denotes that the bulkhead light can work at day and night, and the (☾) position will only work at night. You can set to operate the light at the desired level by adjusting the LUX dial.

SETTING THE CONTROLS:

- 01) Turn the LUX control to light (☼) position, at this stage ensure that the time control is set at minimum duration time (-) position. The bulkhead light will now switch on and remain on for about 30+ seconds.
- 02) Direct the sensor toward the desired area to be scanned by adjusting the PIR sensor, have another person move across the centre of the area to be scanned and slowly adjust the PIR sensor until the unit senses the presence of the moving person, causing the lamp to switch on. (Refer to Fig. 6 above).
- 03) Adjust time control to required setting.
- 04) To set the lux level at which the lamp will automatically switch "on" at night, turn the LUX control from daylight to night (☾). If the lamp is required to switch on earlier, e. g. dusk, wait for the desired environment light level, then slowly turn the LUX control towards daylight (☼) while someone walks across the centre of the area to be detected. When the lamp switches on, release the lux control. You may need to make further adjustments to achieve your ideal light level setting.

TROUBLESHOOTING AND USER HINTS:

Note: all passive infra red detectors are more sensitive in cold and dry weather than warm and wet weather.

| PROBLEM | POSSIBLE CAUSE | SUGGESTED REMEDY |
|--|---|--|
| Light does not switch on when there is movement in the detection area. | 1. No mains voltage | Check all connections, and MCB Fuses / switches |
| | 2. Nearby lighting is too bright | Redirect sensor or relocate the unit |
| | 3. Controls set incorrectly | Readjust sensor angle or control |
| | 4. Lamp blown | Check lamp functions and replace if necessary |
| | 5. Lamp not fitted correctly | Make sure the lamp is correctly seated in the lampholder |
| | 6. Wired incorrectly | Check wiring and confirm its wired as per the wiring diagram |
| | 7. Sensor positioned in wrong direction | Adjust angle and direction of PIR for best results walk across beam |
| Light switches on for no apparent reason (false trigger) | 1. Heat sources such as air-con, vents, heaters, flues, other outside lighting, moving cars trees or shrubs are activating sensor | Adjust direction of sensor head away from these sources |
| | 2. Animals / birds activating sensor | Redirecting sensor head may help |
| | 3. Interference from on/off switching of electric fans or lights on the same circuit as your fitting. (This problem does not always occur but a faulty switch or noisy fluorescent light may cause the fitting to switch on) | (a) Replacing a faulty switch (b) Replacing noisy fluorescent tubes and/or starters (c) Connecting the fitting to a separate circuit (in most cases where one or more of the above suggestions have been carried out, false triggering has been reduced) |
| | 4. Reflection from swimming pool, or reflective surface such as smooth white walls | Redirect sensor |
| Light remains on | 1. Continuously false triggered | Redirecting sensor head may help |
| | 2. Time is set too long | Reduce time |
| Light remains on at nighttime | Possible heat source in detection zone | Cover PIR sensor lens with a thick cloth, if the light turns off check detection area for heat or reflective source, reposition head |
| Light switches on during daylight hours | LUX control dial is set to daylight position | Turn the LUX control dial to desired light level setting |
| When setting the lux controls in daylight the detection distance becomes shorter | Interference by sunlight | Re-test at night |