
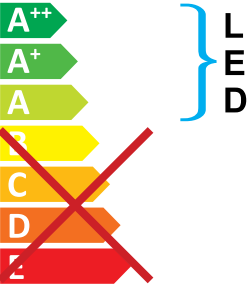



Eterna SHEYE / SHFULL



This luminaire contains built-in LED lamps.



The lamps cannot be changed in the luminaire.

874/2012 

LAMP SPECIFICATIONS:	SHFULL	SHEYE
Lumens total flux	800 lm	800 lm
Lumens 120° flux	730 lm	730 lm
Rated Wattage	12W	12W
Rated luminous flux	730 lm	730 lm
Nominal life time of the lamp	25,000 hrs	25,000 hrs
Colour temperature	4200K	4200K
Number of switching cycles before premature lamp failure	>15,000	>15,000
Warm-up time up to 60 % of the full light output	Instant full light	Instant full light
Dimmable	No	No
Lamp dimensions	Ø 140mm	L: 180 x H: 77mm
Nominal beam angle	120°	120°
Rated power	12W	12W
Rated lamp lifetime	25,000 hrs	25,000 hrs
Lamp power factor	>0.93	>0.93
Lumen maintenance factor at end of nominal life	≥70%	≥70%
Starting time	<0.1s	<0.1s
Colour rendering	≥80%	≥80%
Colour consistency	Within 6 step Macadam ellipse	Within 6 step Macadam ellipse
Rated peak intensity	480cd	480cd
Rated beam angle	120°	120°

Not suitable for accent lighting

EVENTUALLY, YOU MAY WANT TO REPLACE THIS PRODUCT:

Regulations require the recycling of Waste from Electrical and Electronic Equipment (European "WEEE Directive" effective August 2005—UK WEEE Regulations effective 2nd January 2007). Environment Agency Registered Producer: WEE/GA0248QZ.

WHEN YOUR PRODUCT COMES TO THE END OF ITS LIFE OR YOU CHOOSE TO REPLACE IT, PLEASE RECYCLE IT WHERE FACILITIES EXIST - DO NOT DISPOSE WITH HOUSEHOLD WASTE.

CLEANING:

Clean this fitting only with a soft dry cloth.
Do not use any chemical or abrasive cleaners.

IF YOU EXPERIENCE PROBLEMS:

If you believe your product is defective, please return it to the place where you bought it. Our Technical Team will gladly advise on any Eterna Lighting product, but may not be able to give specific instructions regarding individual installations.

For breakage information visit:
www.eterna-lighting.co.uk



INSTALLATION INSTRUCTIONS

A guide for qualified electricians



Pack contents:
1 x LED fitting

Model:

**SHFULLBK / SHFULLWH / SHEYEBK / SHEYEWLH
LED Standard / Eyelid Diffuser Amenity Ceiling / Wall Lights**

These instructions are provided as a guideline to assist you.

**PLEASE READ THESE INSTRUCTIONS BEFORE INSTALLATION
AND RETAIN FOR FUTURE REFERENCE**

READ THIS FIRST:

Check the pack and make sure you have all of the parts listed on the front of this booklet. If not, contact the outlet where you bought this product.

This product must be installed by a competent person in accordance with the current building and IEE wiring regulations.

As the buyer, installer and/or user of this product it is your own responsibility to ensure that this fitting is fit for the purpose for which you have intended it. Eterna Lighting cannot accept any liability for loss, damage or premature failure resulting from inappropriate use.

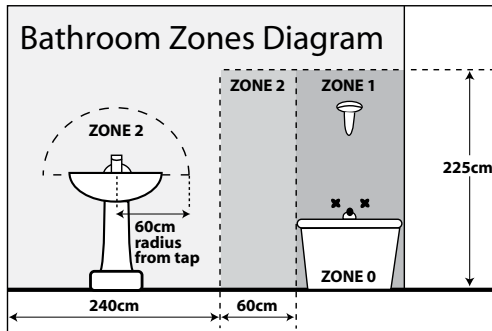
This product is designed and constructed according to the principles of the appropriate British Standard and is intended for normal domestic service. Using this fitting in any other environments may result in a shortened working life, for example where there is prolonged periods of use or higher than normal ambient temperatures such as lighting public or shared spaces or in nursing /care home facilities.

Switch off the mains before commencing installation and remove the appropriate circuit fuse or lock off MCB.

Suitable for indoor and outdoor use.

This product is suitable for use in living areas, and Bathroom Zone 2 and outside of zones.

If being fitted in a bathroom a 30mA RCD must be used.



This product is designed for permanent connection to fixed wiring: this must be a suitable circuit (protected with the appropriate MCB or fuse).

This product is suitable for installation on surfaces with normal flammability e.g. wood, plasterboard and masonry. It is not suitable for use on highly flammable surfaces (e.g. polystyrene, textiles).

Before making fixing hole(s), check that there are no obstructions hidden beneath the mounting surface such as pipes or cables.

The chosen location of your new fitting should allow for the product to be securely mounted (e.g. to a ceiling joist) and safely connected to the mains supply (lighting circuit).

When making connections ensure that the terminals are tightened securely and that no strands of wire protrude. Check that the terminals are tightened onto the bared conductors and not onto any insulation.

This product is double insulated. **DO NOT CONNECT ANY PART TO EARTH.**

This product is not intended to be used by children and persons with sensory, physical and/or mental impairments that would prevent them from using it safely.

You are advised at every stage of your installation to double-check any electrical connections you have made. After you have completed your installation there are electrical tests that should be carried out, these tests are specified in the current IEE wiring and building regulations.

INSTALLATION:

Choose the location for your new fitting according to the conditions listed opposite.

- 01) Undo screws and remove trim and diffuser.
- 02) Drill holes in the back of your fitting for your fixing screws, take care and drill gently to ensure a clean hole through. Use a drill bit sized appropriately to your fixing screws (not supplied).
- 03) Using the back of your fitting as a template, mark the position of your fixing holes on your mounting surface.
- 04) Prepare the holes in your mounting surface as appropriate for your fixings.
- 05) Pierce the rubber grommet in the back of your fitting making a hole just large enough to make a tight fit around the incoming mains cable.
- 06) Thread the cable through the grommet and offer the fitting to the ceiling / wall.
- 07) Secure the fitting in place. Note, if protection against ingress of moisture is required, the heads of screws must be covered with a silicone or similar sealant.
- 08) Check that the grommet is still correctly fitted in the cable entry hole and around the incoming cable.
- 09) Make the electrical connections to the gear tray according to the symbols, adjacent to the connector block, Brown to live (L) Blue to neutral (N).
- 10) Offer the diffuser and decorative trim onto the top of the fitting and screw securely in place.
- 11) Restore the power and switch on.

LAMP REPLACEMENT:

LED lamps are non replaceable and should last the lifetime of the fitting.