

SURFMK12

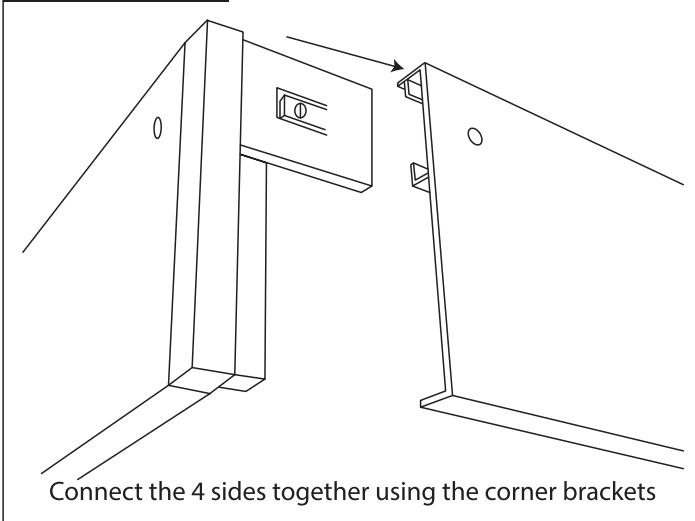
- Turn off power before installation.
- Refer to panel light instructions for connections.

Pack Contents:

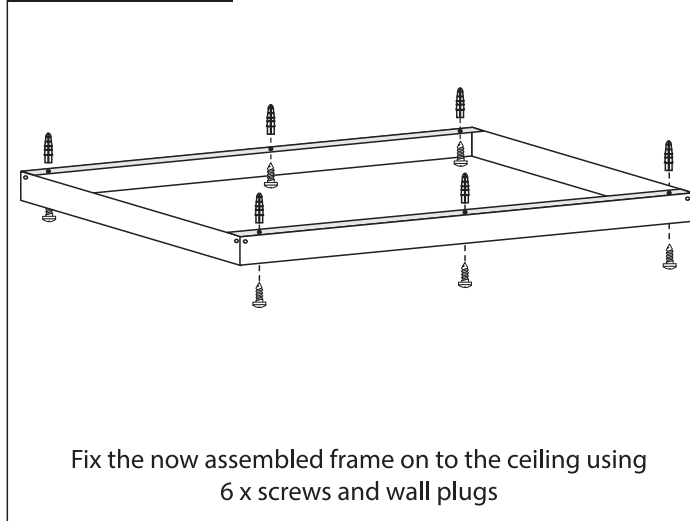
- 1 x Surface mounting box
- 4 x corner brackets
- 6 x screws and wall plugs



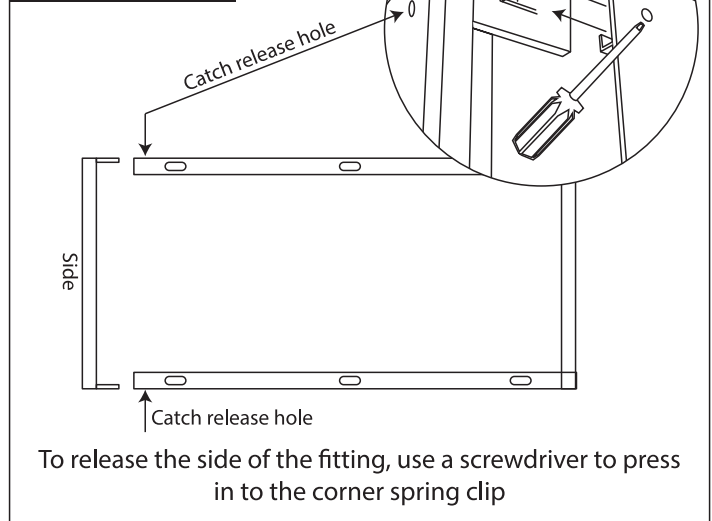
STEP 1



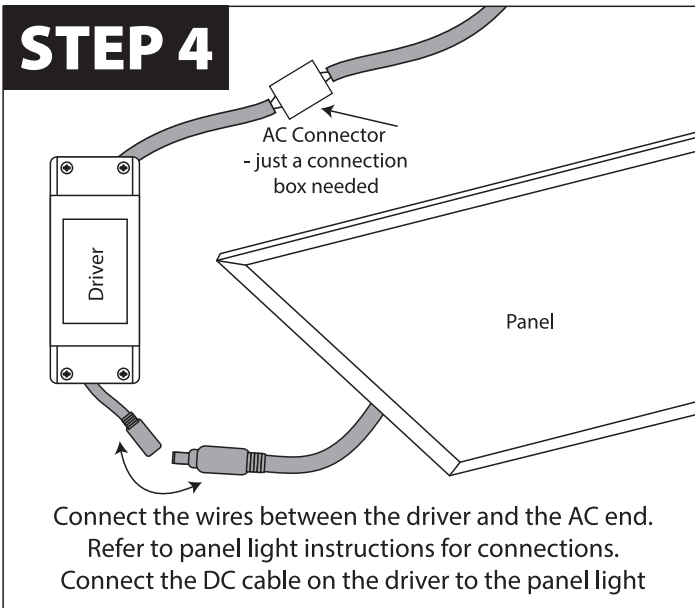
STEP 2



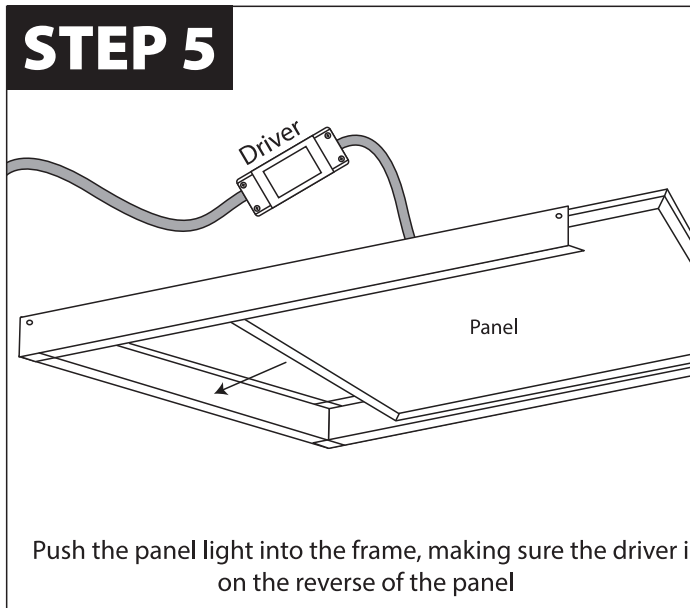
STEP 3



STEP 4



STEP 5



STEP 6

