

LAMP REPLACEMENT:

The light source is designed to last the lifetime of the luminaire.

The light source contained in this luminaire shall only be replaced by the manufacturer, service agent or a similar qualified person.

CAUTION, RISK OF ELECTRIC SHOCK.



INDUSTRIAL BATTERIES:

Within certain products Eterna Lighting Ltd places lead acid, lithium ion, nickel cadmium & nickel metal hydride batteries on the market. Industrial batteries are subject to waste regulation under the Waste Batteries and Accumulators Regulations 2009 and should be disposed of responsibly. Purchasers may be able to dispose of their waste industrial batteries locally via legitimate licensed trade waste contractors. Eterna is obliged to take back, free of charge and within a reasonable time, waste industrial batteries of the same chemistry supplied to a Purchaser, for treatment and recycling and is required to do this in any calendar year new industrial batteries are placed on the market. In certain circumstances, this may include batteries not originally supplied by Eterna. If any Purchaser requires Eterna to take back Industrial batteries, they should write to the Operations Director, Eterna Lighting Ltd, Huxley Close, NN8 6AB, who will then advise on the necessary arrangements for the receipt, proper treatment and recycling of, the waste industrial batteries.

EVENTUALLY, YOU MAY WANT TO REPLACE THIS PRODUCT:

Regulations require the recycling of Waste from Electrical and Electronic Equipment (European "WEEE Directive" effective August 2005—UK WEEE Regulations effective 2nd January 2007). Environment Agency Registered Producer: WEE/ GA0248QZ.

WHEN YOUR PRODUCT COMES TO THE END OF ITS LIFE OR YOU CHOOSE TO REPLACE IT, PLEASE RECYCLE IT WHERE FACILITIES EXIST - DO NOT DISPOSE WITH HOUSEHOLD WASTE.

BATTERY REPLACEMENT:

If after routine operation check, the lamp does not remain lit for the three hour period, a new battery pack may be required.

01. Switch off the electricity at the mains (both permanent live and switch live) and allow batteries to fully discharge then reconnect to supply and allow charging for 24 hours.
02. Test again for 3 hours, if light does not remain lit, then change the battery pack as follows:
03. Remove the diffuser and remove the gear tray.
04. Remove the two screws and remove the battery by unplugging the battery lead from the circuit board.
05. Write current date on the new battery pack and fit a new battery by reversing the above procedure.
06. Plug battery pack into circuit board.
07. Refit gear tray and diffuser.
08. Restore power and allow charging for 24 hours.
09. Perform full operation check and update test record.

REPLACEMENT BATTERY TYPE:

Rechargeable Li-ion 6.4V 1500mAh

CLEANING:

Disconnect the power and clean the exterior only of this fitting with a moist (not wet) cloth.

Do not use any chemical or abrasive cleaners.

IF YOU EXPERIENCE PROBLEMS:

If you believe your product is defective, please return it to the place where you bought it. Our Technical Team will gladly advise on any Eterna Lighting product, but may not be able to give specific instructions regarding individual installations.



IP65



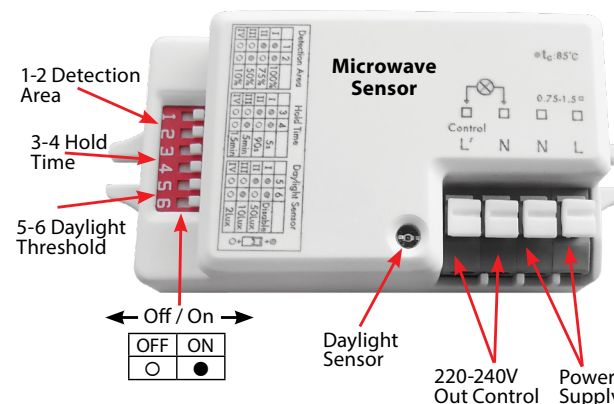
Eterna

Everyday Lighting For Professionals

INSTALLATION INSTRUCTIONS

A guide for qualified electricians

3 HOURS DURATION IN EMERGENCY MODE



PACK CONTENTS:

LED weatherproof fitting
1 x Maintenance check record

FIXING KIT:

2 x Suspension brackets
2 x Hanging hooks
1 x Grommet
1 x IP65 gland
4 x Wall plugs
4 x Fixing screws
4 x Washers



Single shown

Model:

**WP41MW3, WP42MW3, WP51MW3,
WP52MW3, WP61MW3, WP62MW3**

Emergency IP65 LED Weatherproofs With Microwave Sensor

These instructions are provided as a guideline to assist you.

**PLEASE READ THESE INSTRUCTIONS BEFORE INSTALLATION
AND RETAIN FOR FUTURE REFERENCE**

Email: sales@eterna-lighting.co.uk / technical@eterna-lighting.co.uk

Visit our website: www.eterna-lighting.co.uk

READ THIS FIRST:

Check the pack and make sure you have all of the parts listed on the front of this booklet. If not, contact the outlet where you bought this product.

This product must be installed by a competent person in accordance with the current building and IEE wiring regulations.

As the buyer, installer and/or user of this product it is your own responsibility to ensure that this fitting is fit for the purpose for which you have intended it. Eterna Lighting cannot accept any liability for loss, damage or premature failure resulting from inappropriate use.

This product is designed and constructed according to the principles of the appropriate British Standard and is intended for normal service. Using this fitting in any other environments may result in a shortened working life, for example where there is prolonged periods of use or higher than normal ambient temperatures.

Switch off the mains before commencing installation and remove the appropriate circuit fuse or lock off MCB.

Disconnect the driver from the electrical supply before flash or high voltage testing.

Do not connect to a circuit which also has inductive loads connected; switching of inductive loads will generate spikes which may damage electronic components within your driver.

This unit is suitable for outdoor use.

This product is designed for permanent connection to fixed wiring: this must be a suitable circuit (protected with the appropriate MCB or fuse).

Before making fixing hole(s), check that there are no obstructions hidden beneath the mounting surface such as pipes or cables.

Make sure that the fixings are strong enough to support the considerable weight of the fitting and hold it rigidly.

The chosen location of your new fitting should allow for the product to be securely mounted (e.g. to a ceiling joist) and safely connected to the mains supply (lighting circuit).

This product must be connected to earth termination.

The batteries supplied with this fitting are a consumable part and therefore may be outside of any warranty offered.

This product is not intended to be used by children and persons with sensory, physical and/or mental impairments that would prevent them from using it safely.

You are advised at every stage of your installation to double-check any electrical connections you have made. After you have completed your installation there are electrical tests that should be carried out, these tests are specified in the current IEE wiring and building regulations.

OPERATION CHECKS:

Periodic testing should be carried out to ensure emergency lighting is operating correctly. Interruption of the supply, causing the fitting to be energised from the battery, should be carried out by the operation of a local keyswitch or other isolation device. During this period all fittings should be examined visually to ensure that they are functioning correctly. At the end of the test period the supply shall be restored and all indicator lamps or devices checked to ensure that the normal supply has been restored.

DAILY:

Visual inspection of the battery charge LED.

EACH MONTH:

Isolate the power supply for a period sufficient to ensure that each lamp is illuminated. Endorse the test record form supplied.

ONCE EACH YEAR:

Isolate the power supply and check that the light is still illuminated after 3 hours. Endorse the test record form.

Because of the possibility of a failure of the normal lighting supply occurring shortly after a period of testing of the emergency lighting system or during the subsequent recharge period, all full duration tests shall wherever possible be undertaken preceding time of low risk to allow for battery recharge.

NOTE: please keep this instruction booklet and the test record in a safe place. A fire officer or other authorised person may want to see your record of inspection and testing.

NOTE: this unit has a permanent live mains supply, please ensure you isolate before removing cover.

There may also be a separate permanent supply that controls the emergency light fitting - this also needs to be isolated.

INSTALLATION:

DO NOT drill holes into the body enclosure to create fixing points as this will invalidate the IP rating.

- 01) Choose the location of your new fitting giving consideration to all of the conditions listed above and the position of the entry points for the mains supply cable.
- 02) Suspension brackets are suitable for fixing to BESA mounting points. Use the washers provided where required.
- 03) Hanging clips are supplied to allow the fitting to be suspended from chains (not supplied). Ensure that the chain is strong enough to support the fitting and the tops of the chains are fixed securely to the mounting surface.
- 04) The suspension brackets should be positioned on the centreline of the fitting at the fixing centres shown on the table opposite.
- 05) If fixing directly to a solid surface drill holes 6mm and insert the plastic plugs provided. Place the washers onto the screws before fixing.
- 06) If the fixings supplied are not appropriate for your installation to hold the fitting securely, please select suitable alternatives.
- 07) To release diffuser, put your finger in the hole on top of the clip and pull outwards to release the diffuser clips to open up the fitting.
- 08) Press together the tops of the gear tray clips protruding through the middle of the gear tray and lift the tray out of the fitting.
- 09) Cable gland and grommets are provided for convenience but it is the installers responsibility to employ the correct connection method to maintain the correct IP rating for the environment.
- 10) Choose a cable entry point and drill a suitable hole for the cable gland, grommet or chosen method.
- 11) Thread the supply cable through the gland / grommet.
- 12) Make connections to the terminal block on the back of the metal gear tray according to the following colour code:

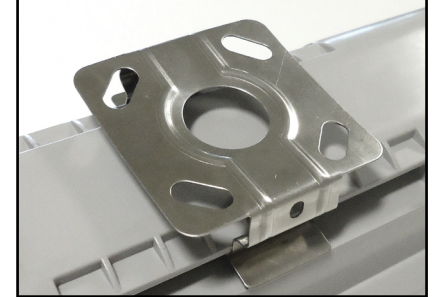
L Switched Live (Brown)
 L' Permanent Live (Brown/Black)
 ⊕ Earth (Yellow/Green)
 N Neutral (Blue)

When making connections ensure that no strands of wire protrude and that the cables are securely held in the push terminals.

- 13) Set desired settings on the microwave sensor.

- 14) Locate the gear tray over the clips protruding from the case and press the gear tray into position. Ensure that all clips have latched securely.
- 15) Hold the diffuser in position on the fitting so that it is seated on the soft foam gasket all the way around.
- 16) Restore the power supply and check the fitting is working correctly. A green LED indicator should be lit, indicating that the emergency battery has a healthy charge supply.

Single version mounting bracket shown



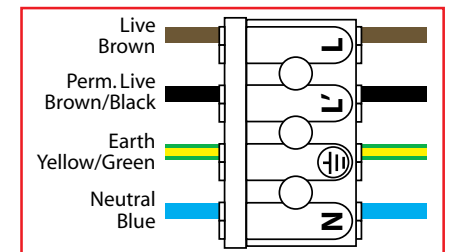
Fixing centre location length mm



Product Code	Fixing Centre
WP41MW3 / WP42MW3	840mm
WP51MW3 / WP52MW3	1120mm
WP61MW3 / WP62MW3	1400mm



Gear tray clips



Terminal capacity: 0.5mm² - 2.5mm²

NOTE: The end clips on one side are secured to the diffuser for ease of fitting



UNDERSTANDING THE CONTROLS:

The sensor is an active motion detector: it emits a high frequency electromagnetic wave 5.8GHz and receives its echo. The sensor detects the change in echo from movement in its detection zone. A microprocessor then triggers the switch light ON command. Detection is possible through doors, panels of glass and thin walls.

DETECTION RANGE:

This determines the effective range of the motion detector and is set up by DIP switches at the sensor itself, refer to figure. Note that reducing the sensitivity will also narrow the detection range.

The following settings are available:

- I - Detection Range 100%
- II - Detection Range 75%
- III - Detection Range 50%
- IV - Detection Range 10%

DETECTION AREA			
	1	2	
I	●	●	100%
II	●	○	75%
III	○	●	50%
IV	○	○	10%

KEY: ON: ● OFF: ○

HOLD TIME:

This determines the time the fitting remains at 100% level on motion detection and is set with DIP switches at the sensor itself, refer to figure. The walk test setting is useful when installing the fitting to establish correct operation and range.

The following settings are available:

- I - Walk test mode 5s
- II - 90s
- III - 5 minutes
- IV - 15 minutes

HOLD TIME			
	3	4	
I	●	●	5s
II	●	○	90s
III	○	●	5min
IV	○	○	15min

KEY: ON: ● OFF: ○

DAYLIGHT SENSOR:

This setting holds off the 100% light output should there be sufficient daylight and is set using DIP switches at the sensor, refer to figure.

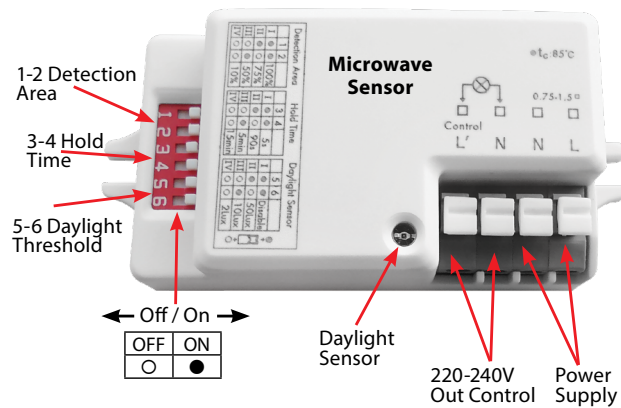
The following settings are available:

- I - Photocell disabled
- II - 50 lux twilight operation
- III - 10 lux twilight operation
- IV - 2 lux darkness operation only

*In daylight setting the lamp(s) will always be on with motion detected and operate at 100% light output, even in bright daylight.

DAYLIGHT SENSOR			
	5	6	
I	●	●	Disable
II	●	○	50 Lux
III	○	●	10 Lux
IV	○	○	2 Lux

KEY: ON: ● OFF: ○



MICROWAVE SENSOR SPECIFICATIONS:

PRODUCT TYPE	MICROWAVE MOTION SENSOR
Operating Voltage	220-240VAC 50/60Hz
HF System	5.8GHz CW radar
Transmission Power	<0.2mW
Detection Angle	30-150 Degree
Power Consumption	<0.5W
Detection Range	Max. 10m adjustable
Time Setting	5s-15m
Mounting	Indoors, ceiling and wall
Light Control	2-50lux, disable
Working Temp	-20 to +60 degree

RED DIRECTIVE

Eterna Lighting Ltd

Microwave Occupancy Sensor

Full declaration available at www.etera-lighting.co.uk

